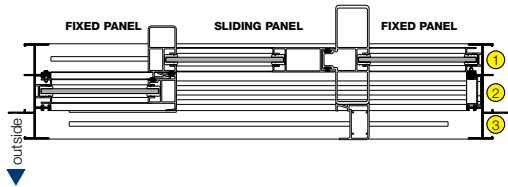


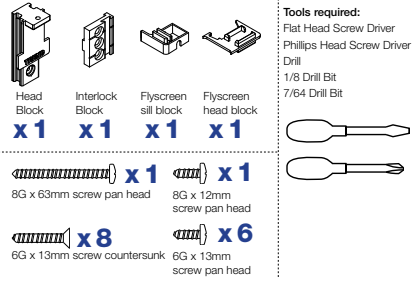
# Instructions

## Trend® 3 Panel (FXF) Installation

**A** Final Layout of Panels for Fixed-Slide-Fixed (left hand) Door. Panel are to be reversed for Fixed-Slide-Fixed (right hand) Door.

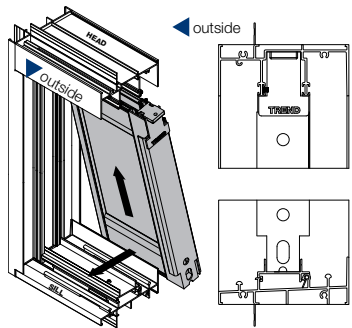


**B** Tools and Components

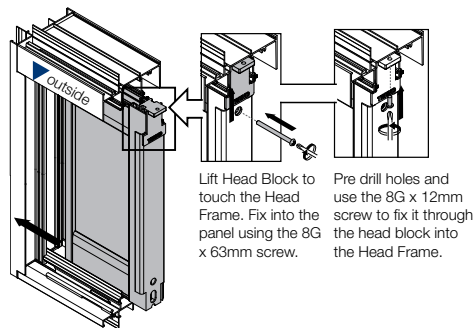


**1** Lift Fixed Panel into the centre channel (2) of the Head Frame

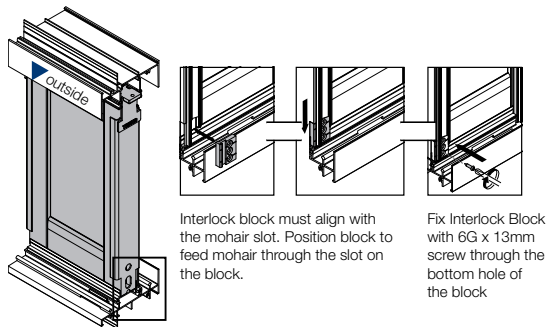
**!** Minimum of 2 people are required to lift panels.



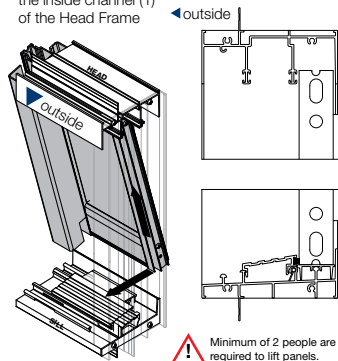
**2** Push Fixed Panel into the jamb



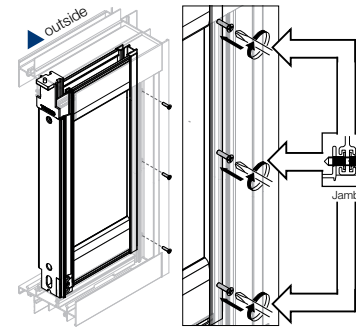
**3** Position interlock block as shown



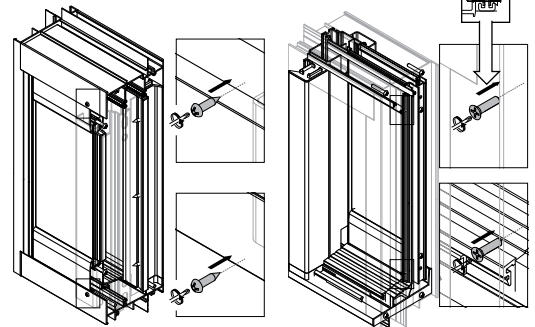
**4** Lift Fixed Panel into the inside channel (1) of the Head Frame



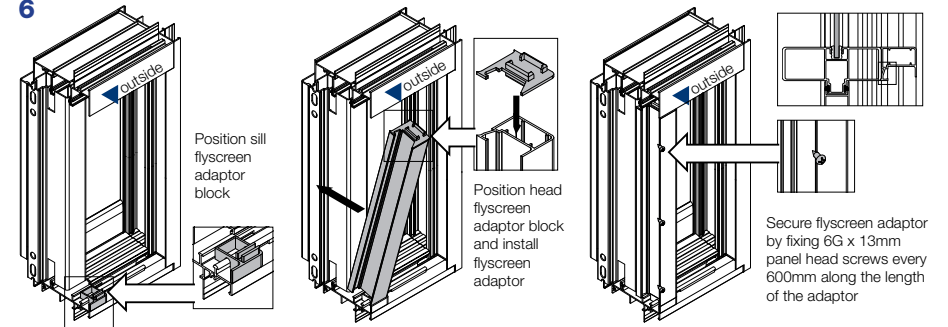
**5** Secure Fixed Panel (2) to the Frame. Pre drill and fix using 6G x 13mm countersunk screws through the centre of the mohair slot



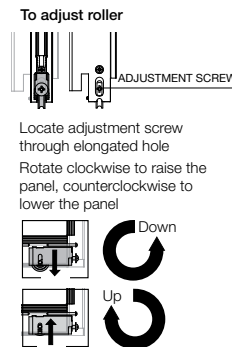
Secure Fixed Panel (1) to the Frame. Pre drill and fix using 6G x 13mm countersunk screws through the centre of the mohair slot and 8G x 12mm on the head and the sill.



**6**

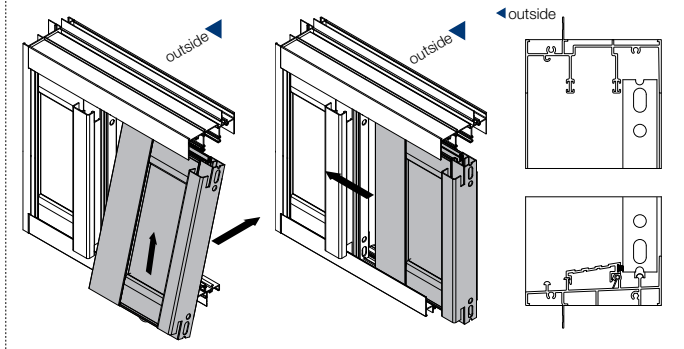


**7** Before installing the Sliding Panel, Adjust the rollers both sides to lower the panel



**8** Position Sliding Panel so that it is in the open position. Lift Sliding Panel into the inside channel (1) of the Head Frame. Test Sliding Panel and adjust the rollers for ease of sliding.

**!** Minimum of 2 people are required to lift panels.



Please note that drawings are not to scale

Instructions | Trend® 3 Panel (FXF) Installation | Mk-1 | 25 Feb 2010

Confidentiality Notice: This document and the information it contains are copyright and confidential to Trend® Windows & Doors Pty Limited. Disclosure, use and copying in any form whatsoever, except as authorised by Trend® Windows & Doors in writing, are strictly prohibited. Patents and Design Registrations pending.