



Quantum[®] Casement Window

Features & Benefits

Casement Window - Features & Benefits

FRAME

- Robust 102mm semi commercial aluminium window frame - ideal for larger window applications.

SASH

- 62mm wide window sash section.
- Head, sill and jamb rails all have flat infill for clean lines.
- Window design allows for 90° angle opening.

SILL

- Modern sill provides a clean appearance from the inside and the outside. Casement window can be coupled to large fixed lite windows.

GLAZING & ENERGY EFFICIENCY

- All Trend® Windows and Doors comply with Australian Standards AS1288.
- Glazing options from 4mm single glazed to 24mm insulated glazed units (IGUs).
- Energy efficiency options available to help reduce home energy consumption.
- All glazing options are Window Energy Rating Scheme (WERS) rated - providing a wide range of energy efficient solutions.

ACOUSTICS

- Acoustic solutions available for improved noise reduction
- High R_w ratings available.

WIND & WATER RATINGS

- All Trend® Windows and Doors are designed to meet and surpass 700Pa wind velocity rating and 150Pa water penetration rating and comply with Australian Standards AS2047.
- Pascal deflection rates up to 2200Pa.
- Casement window rated at an air infiltration of 0.16L/s m^2 (below the the National Construction Code (NCC) for Air conditioned spaces of 1.00L/s m^2) perfect for both air conditioned and non-air conditioned spaces.





Casement Window - Features & Benefits

SECURITY

- High performance key lockable dual arm winder for security.
- 100mm child-safe window opening restrictor available.
- Optional **Prowler Proof** security screens available.

BUSHFIRE

- Xtreme® Bushfire Protection option available.
- Xtreme® options have been tested by CSIRO to meet BAL-40 - compliant to AS1530.8.1 within Australian Standards AS3959-2009.



HARDWARE

- High performance key lock scissor action winder mechanism.
- **Infinity** Satin Chrome hardware comes standard on casement windows.
- Optional colours available:
 - Pearl White
 - Stone Beige
 - Anodic Natural Matt
 - Gloss Black
- Side latch handle operates by a 180° rotation from the open to close position, concealed within the window frame.
- Window locks can be keyed alike to other Quantum® products for ease.

OPTIONS

- Glazing options also available in bar layout styles:
 - Colonial
 - Federation
 - Ovolo glazing bar style*
- Wide range of powder coating colours.
- Easy to fit and remove flyscreens available
- Customised WERS ratings.
- Variety of sizes and custom made options available (including Bay window styles).
- Variety of configuration options available.

**Ovolo only available in single glazing.*

DELIVERY

- Protective wrapping for delivery to site comes standard for all Quantum® products.

Note: Care should be taken when placing casement window near pedestrian access.

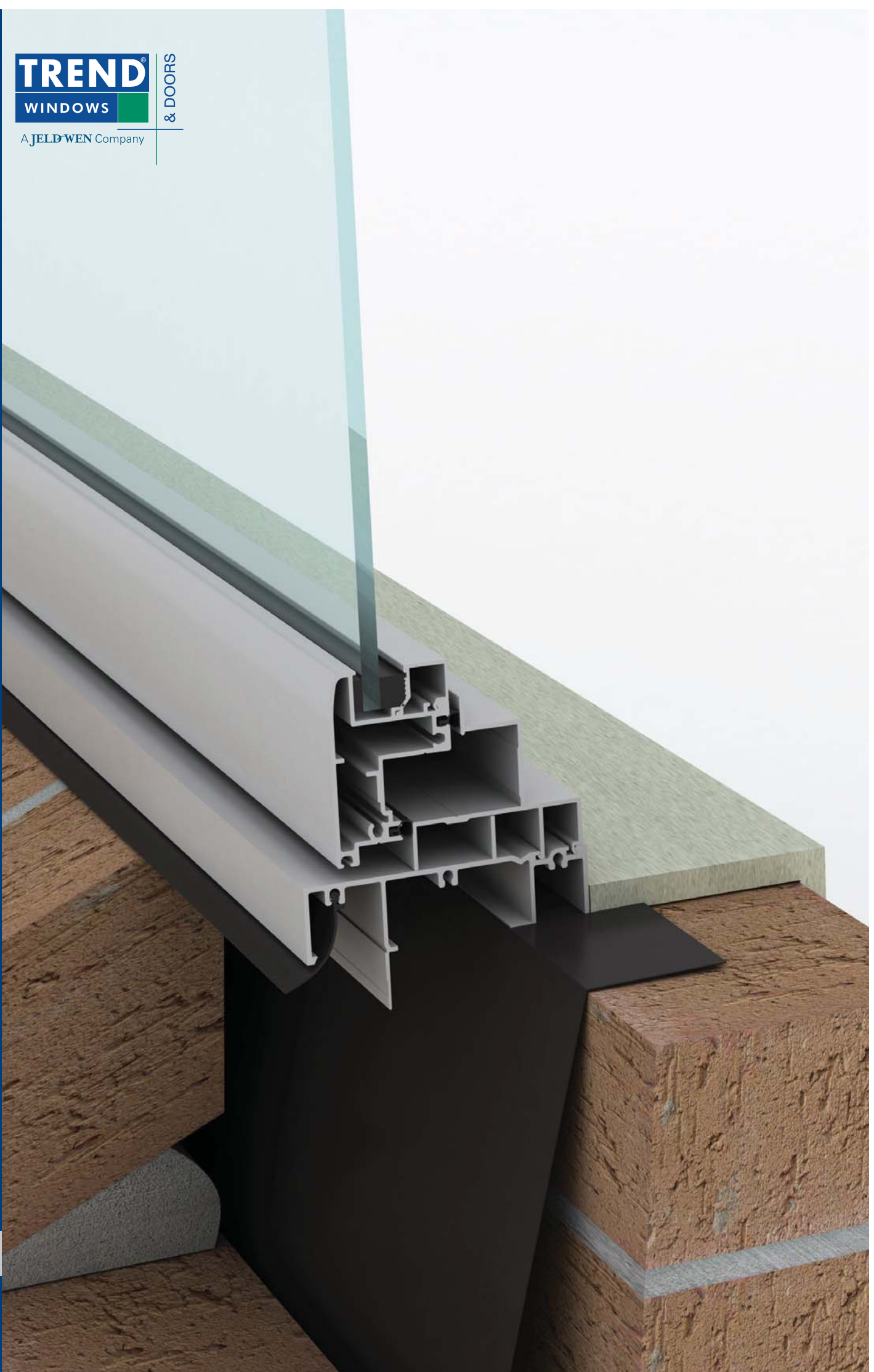


Please note that drawings displayed are not to scale

TREND[®]
WINDOWS

& DOORS

A JELD-WEN Company





Quantum® Casement Window Installation

Casement Window - Installation

Building In Detail | Brick Veneer - 240mm wall



INSTALLING FRAME CORRECTLY

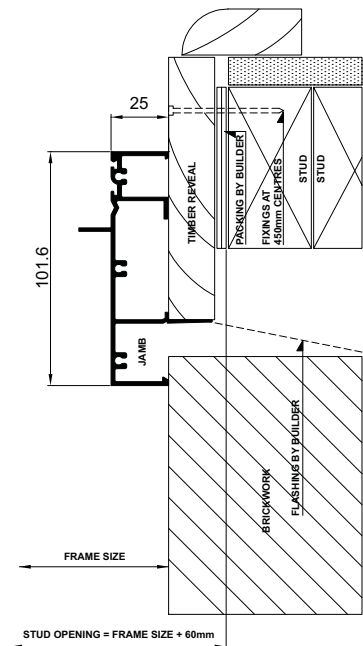
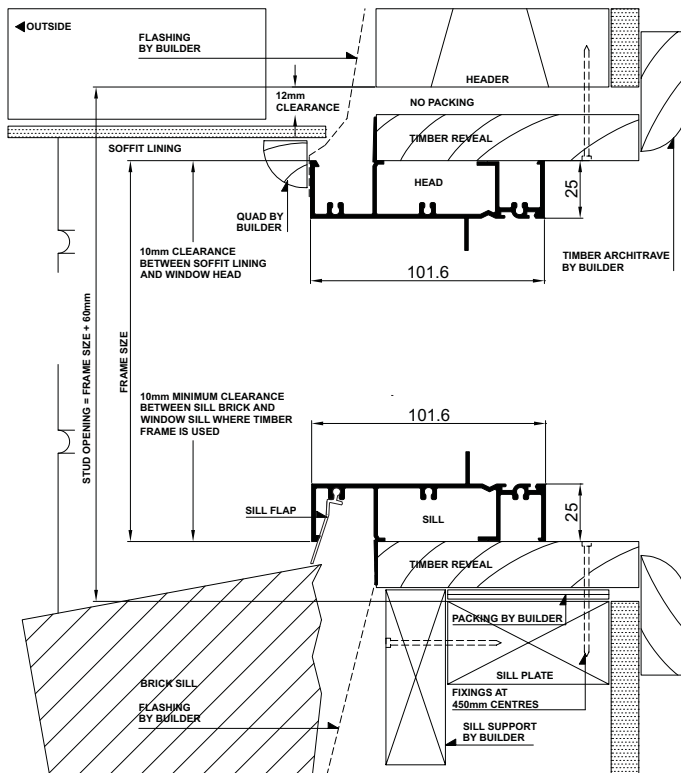
- Fit flashing to window surround (refer to drawing below).
- Measure the frame opening to ensure that there is sufficient room for the product and additional packing.

Stud Opening:

Height = Frame Size + 60mm

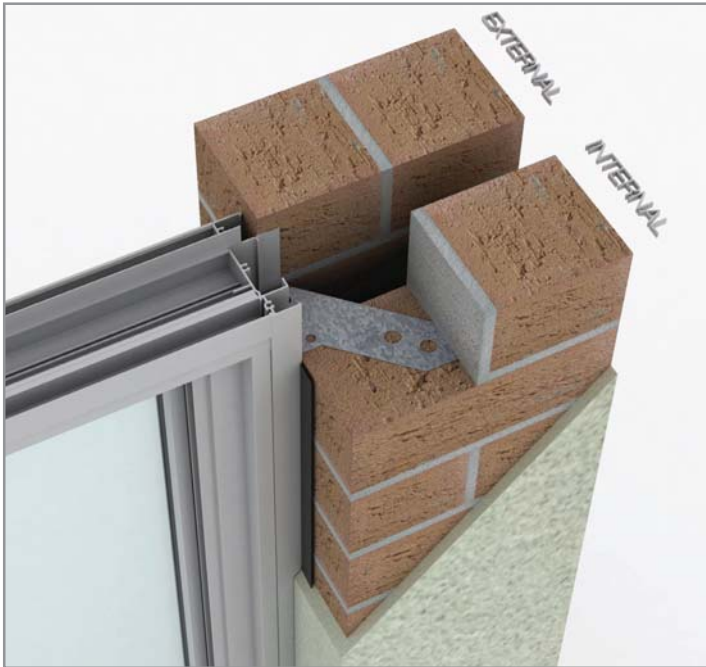
Width = Frame Size + 60mm

- Secure aluminum windows by nailing through reveal into studwork - fixing at 450mm maximum centres.
- Sill bricks should be at least 10mm clear of window frame to allow settlement in brick veneer construction.
- Header beam should be at least 12mm clear of window frame.
- Do not permit weight of eaves or arch bars to bear on any window or door frame. (**Windows and doors are not load bearing.**)
- To ensure the satisfactory long term performance of window, install sill support (refer to drawings below).



Casement Window - Installation

Building In Detail | Double Brick - 280mm wall



INSTALLING FRAME CORRECTLY

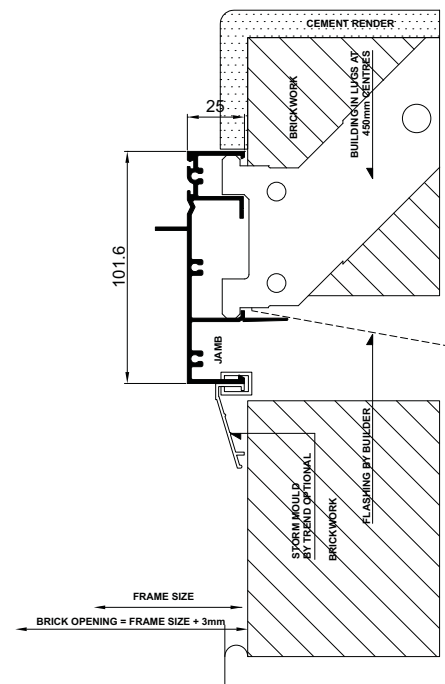
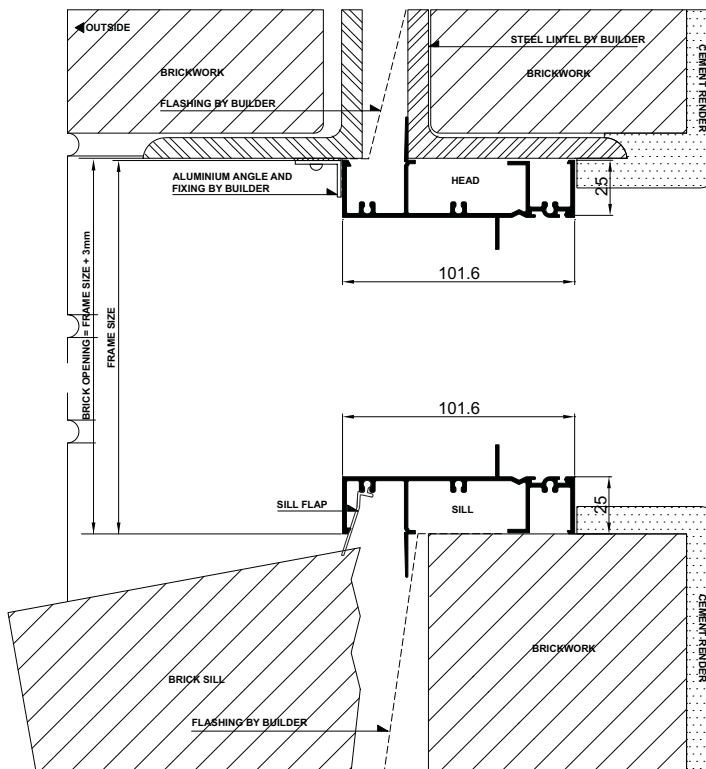
- Fit flashing to window surround (refer to drawing below).
- Measure the frame opening to ensure that there is sufficient room for the product and additional packing.

Brick Opening:

Height = Frame Size + 3mm

Width = Frame Size + 3mm

- Secure aluminum windows by using building lug - fixing at 450mm maximum centres.
- Sill bricks should be at least 10mm clear of window frame to allow settlement in brick veneer construction.
- Do not permit weight of eaves or arch bars to bear on any window or door frame. **(Windows and doors are not load bearing.)**



Please note that drawings displayed are not to scale

Casement Window - Installation

Building In Detail | Double Brick- 280mm wall | Prepared Opening



INSTALLING FRAME CORRECTLY

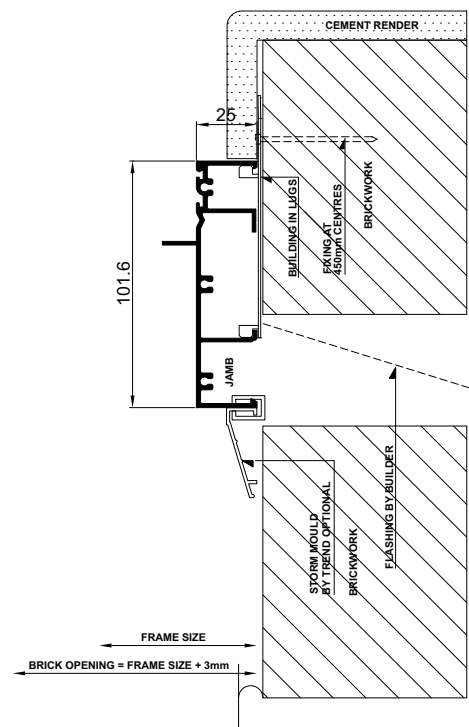
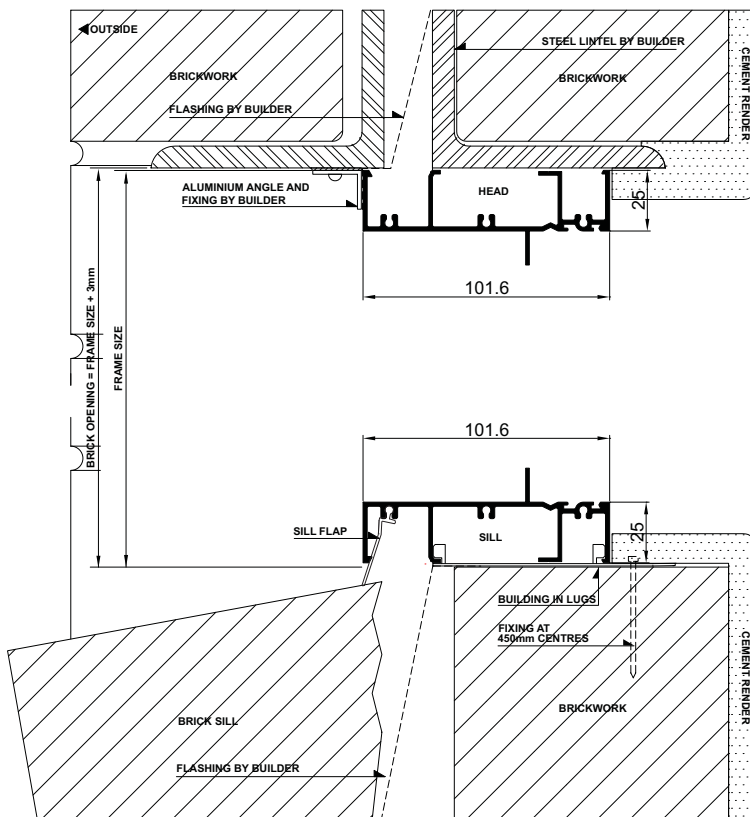
- Fit flashing to window surround (refer to drawing below).
- Measure the frame opening to ensure that there is sufficient room for the product and additional packing.

Brick Opening:

Height = Frame Size + 3mm

Width = Frame Size + 3mm

- Secure aluminum windows by using building lug - fixing at 450mm maximum centres.
- Sill bricks should be at least 10mm clear of window frame to allow settlement in brick veneer construction.
- Do not permit weight of eaves or arch bars to bear on any window or door frame. **(Windows and doors are not load bearing.)**



Casement Window - Installation

Building In Detail | Aluminium Cladding on Studs



INSTALLING FRAME CORRECTLY

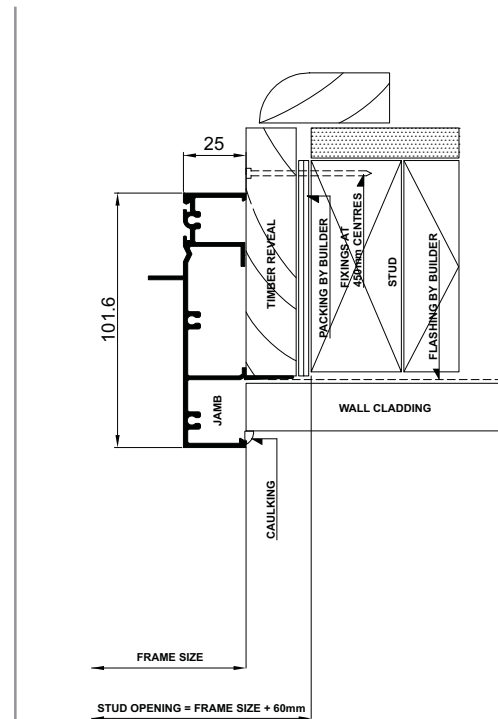
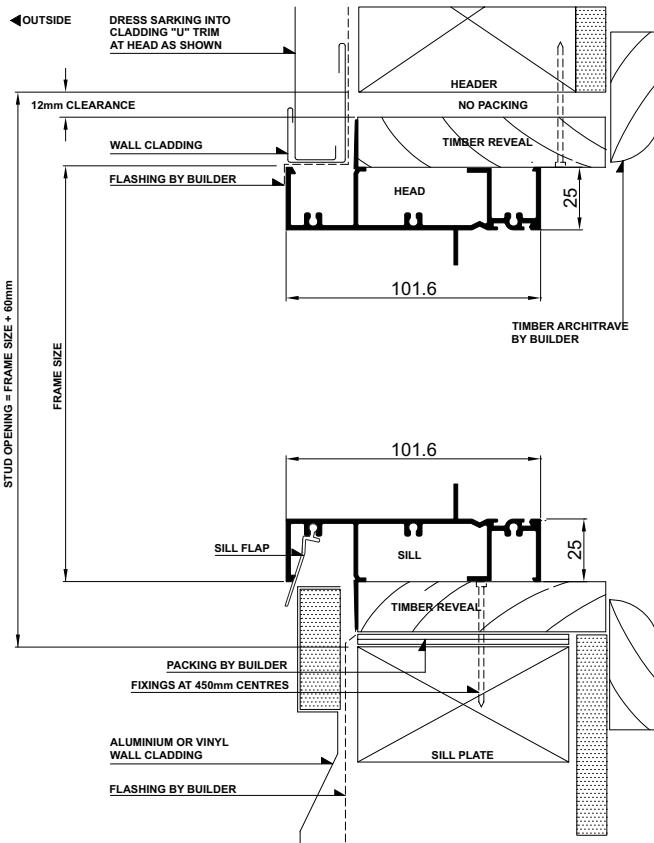
- Fit flashing to window surround (refer to drawing below).
- Measure the frame opening to ensure that there is sufficient room for the product and additional packing.

Stud Opening:

Height = Frame Size + 60mm

Width = Frame Size + 60mm

- Secure aluminum windows by nailing through reveal into studwork - fixing at 450mm maximum centres.
- Header beam should be at least 12mm clear of window frame.
- Do not permit weight of eaves or arch bars to bear on any window or door frame. **(Windows and doors are not load bearing.)**
- To ensure the satisfactory long term performance of windows, install sill support (refer to drawings below).



Please note that drawings displayed are not to scale

Casement Window - Installation

Building In Detail | **Blockwork**



INSTALLING FRAME CORRECTLY

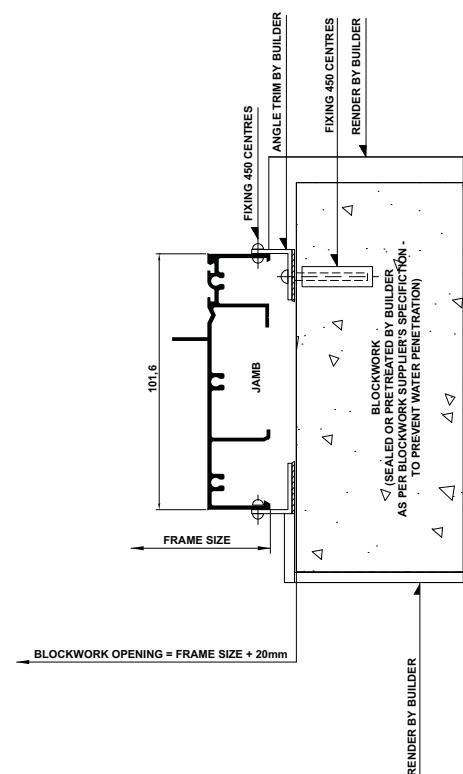
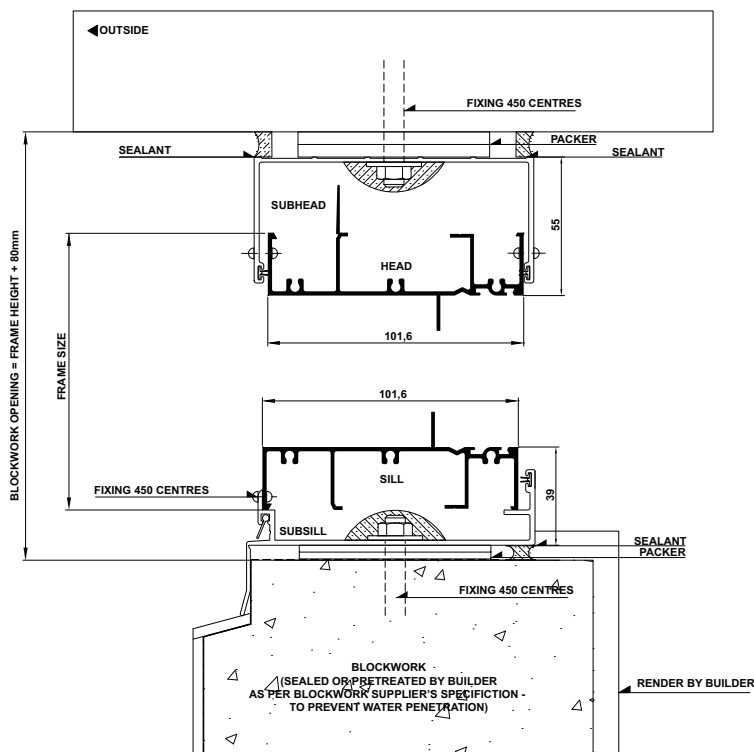
- Measure the frame opening to ensure that there is sufficient room for the product and additional packing.

Blockwork Opening:

Height = Frame Size + 80mm

Width = Frame Size + 20mm

- Fit subframe to opening and seal fixings.
- Seal ends of subsill with angle.
- Fit window to subframe (screw or pop-rievet).
- Do not permit weight of eaves or arch bars to bear on any window or door frame. **(Windows and doors are not load bearing.)**



Casement Window - Installation

Building In Detail | Hebel Power Panel



INSTALLING FRAME CORRECTLY

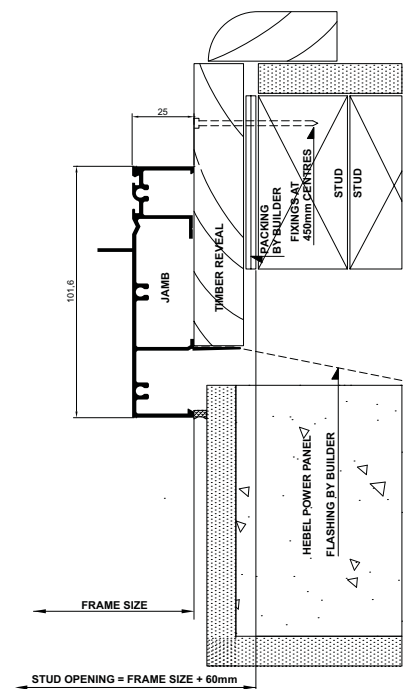
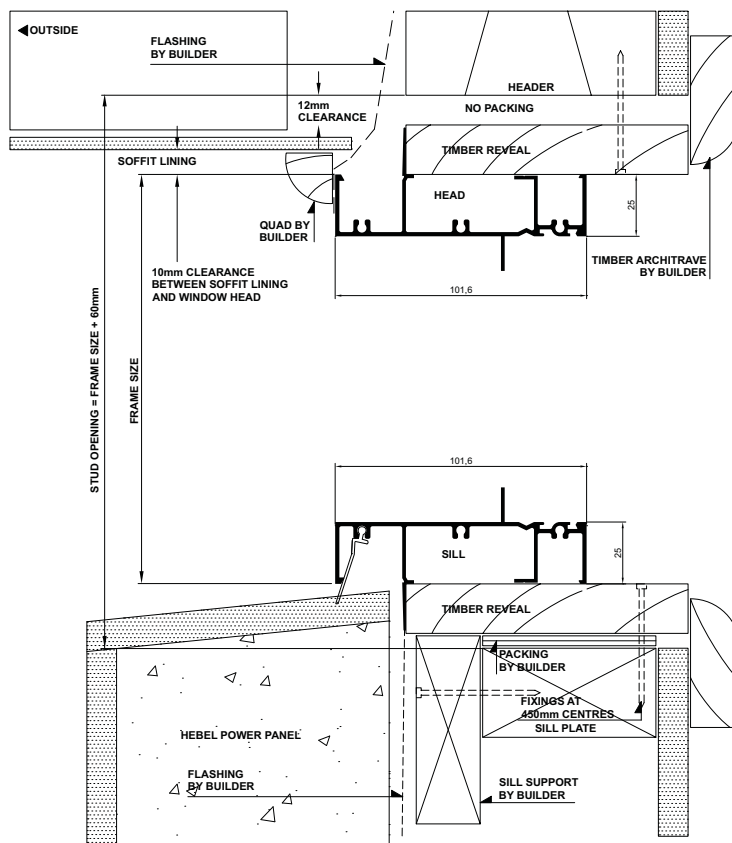
- Fit flashing to window surround (refer to drawing below).
- Measure the frame opening to ensure that there is sufficient room for the product and additional packing.

Stud Opening:

Height = Frame Size + 60mm

Width = Frame Size + 60mm

- Secure aluminum windows by nailing through reveal into studwork - fixing at 450mm maximum centres.
- Caulk between render and frame.
- Header beam should be at least 12mm clear of window frame.
- Do not permit weight of eaves or arch bars to bear on any window or door frame. **(Windows and doors are not load bearing.)**
- To ensure the satisfactory long term performance of windows, install sill support (refer to drawings below).

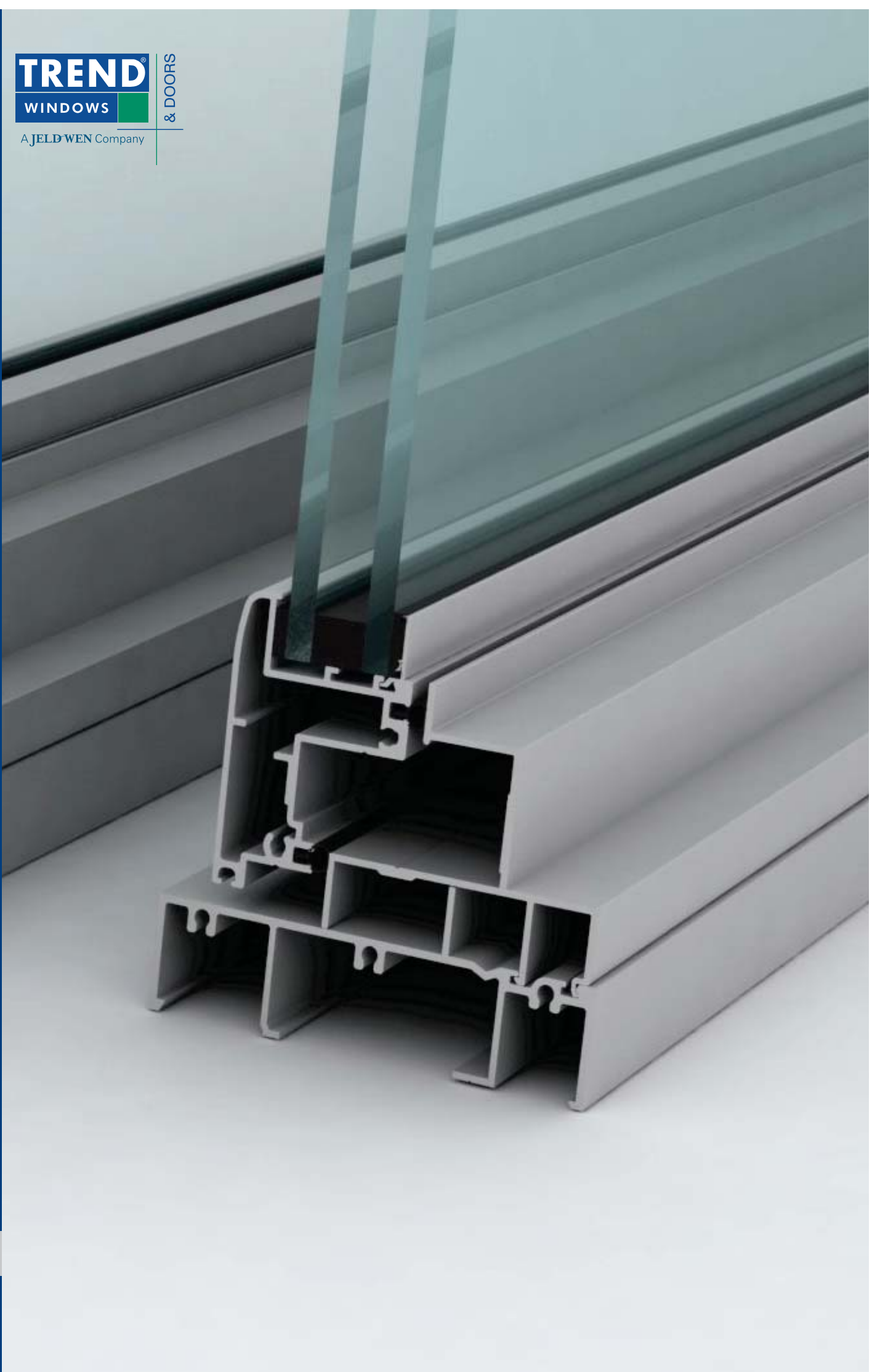


Please note that drawings displayed are not to scale

TREND[®]
WINDOWS

& DOORS

A JELD-WEN Company

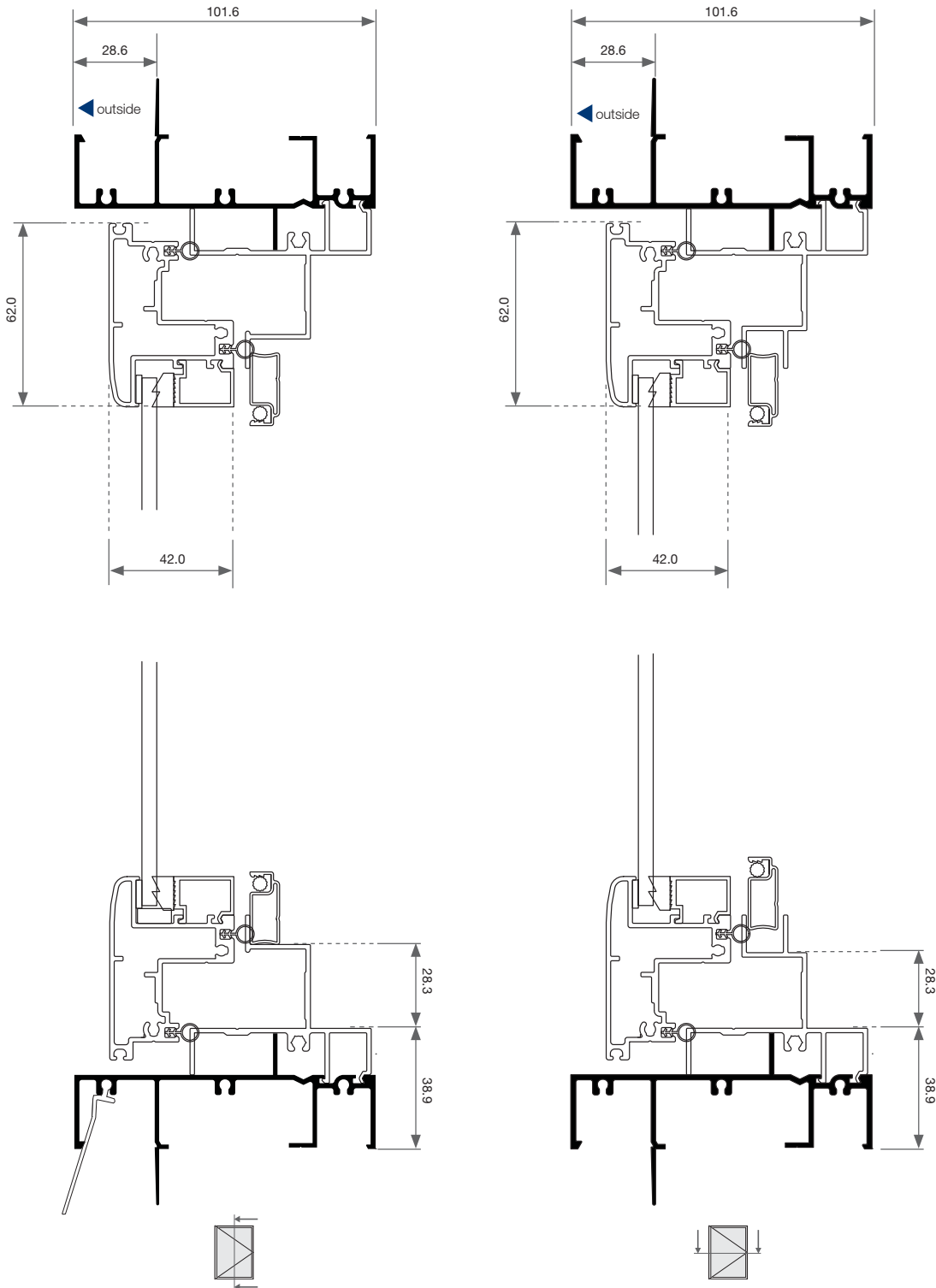


Quantum[®] Casement Window

Cross Sectional Views

Casement Window - Cross Sectional View

Single Lite

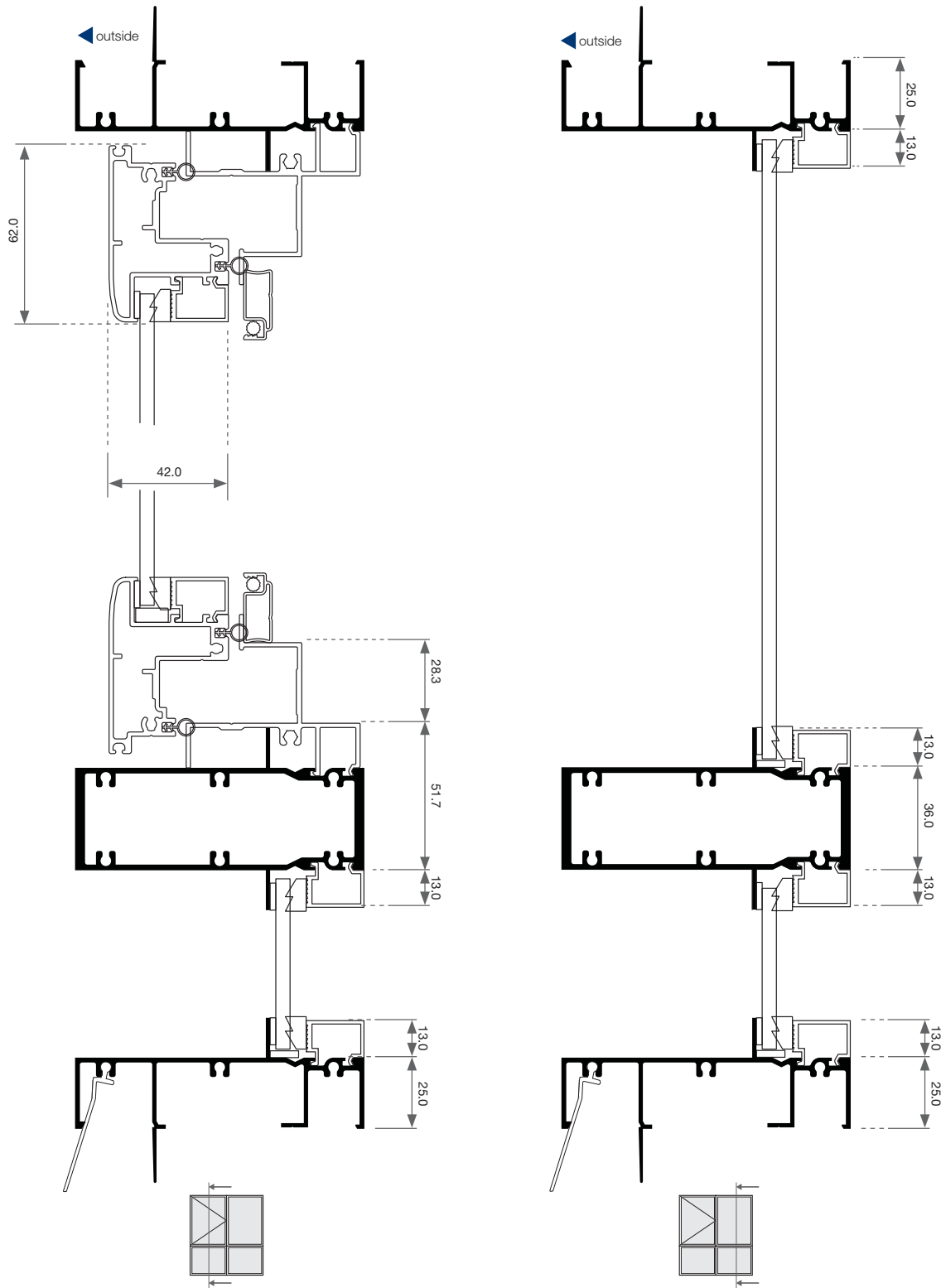


Please note that drawings displayed are not to scale



Casement Window - Cross Sectional View

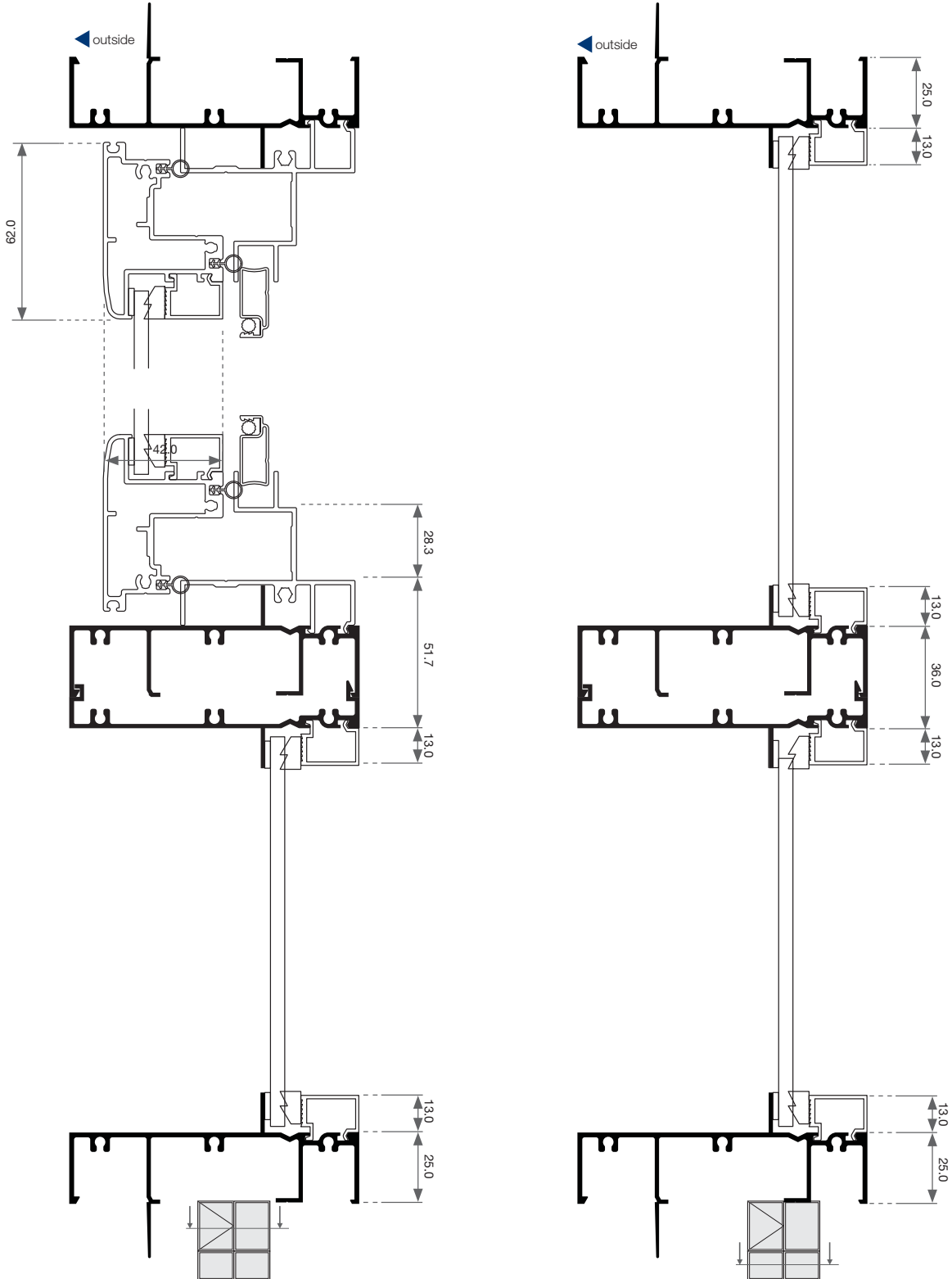
Two Lite | Transom | Elevation



Please note that drawings displayed are not to scale

Casement Window - Cross Sectional View

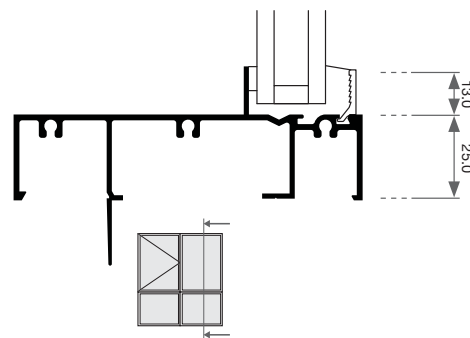
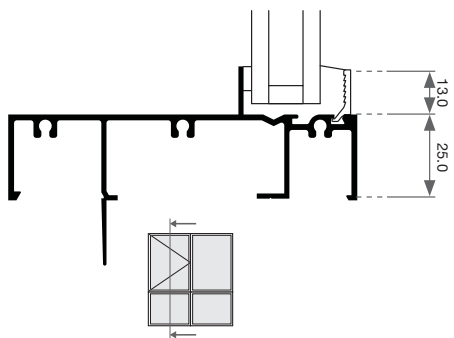
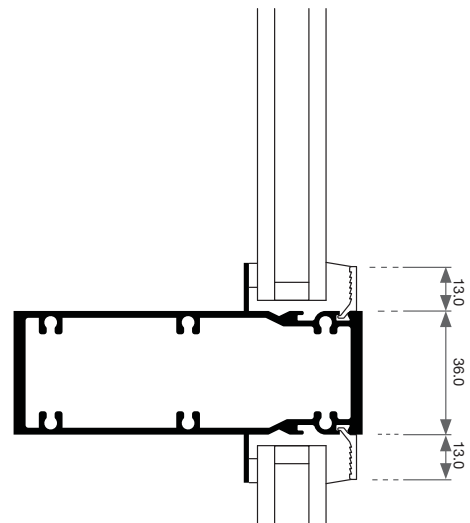
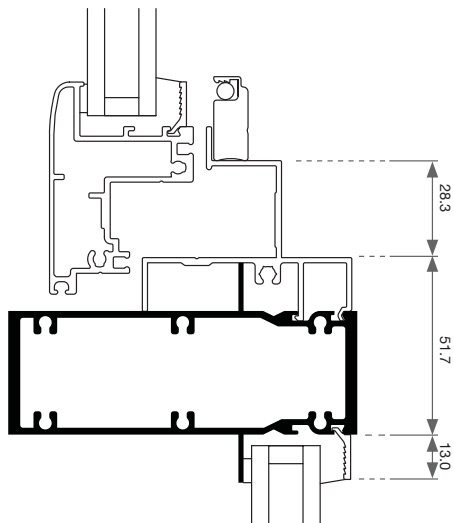
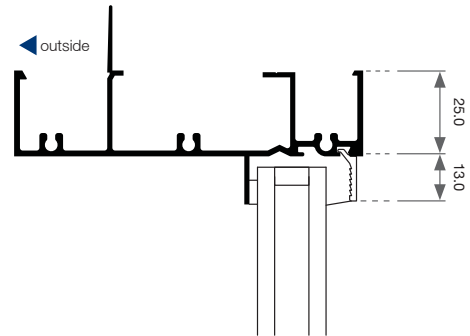
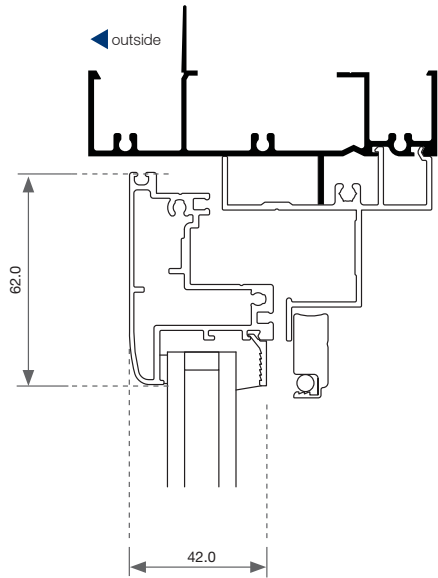
Two Lite | Transom | Plan





Casement Window - Cross Sectional View

Two Lite | Transom | Double Glazed | Elevation



Please note that drawings displayed are not to scale

Casement Window - Cross Sectional View

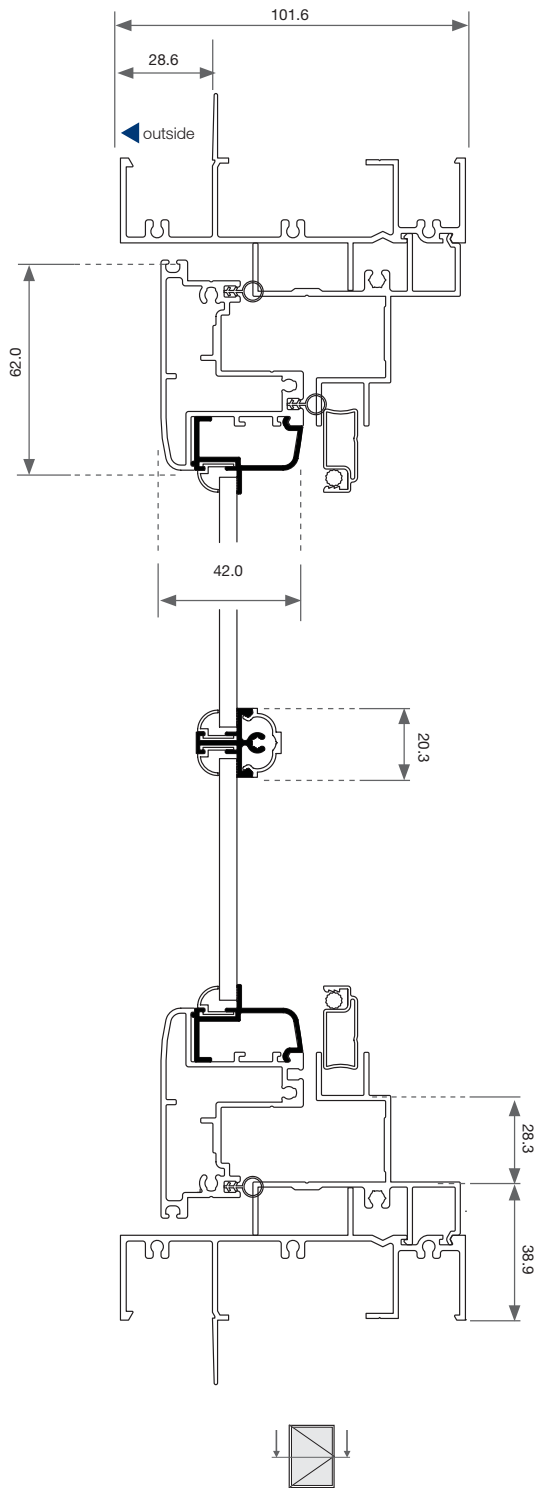
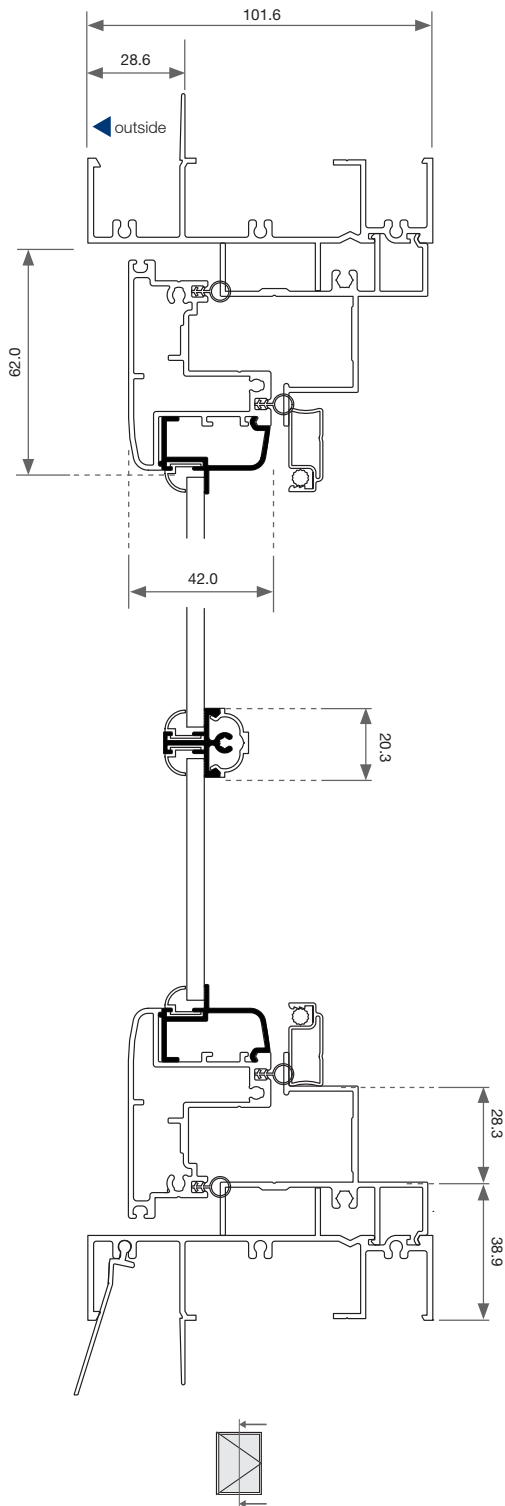
Two Lite | Transom | Double Glazed | Plan





Casement Window - Cross Sectional View

Ovolo



Please note that drawings displayed are not to scale