

Trend Synergy[®] Aluminium[®]

Sliding Stacker Door

TECHNICAL DATA

Features & Benefits

Size Range

Ordering Details

Installation

Cross Sectional Views

Features & Benefits

Synergy® Sliding Stacker Door

1 Energy Efficiency Options

To reduce energy consumption, Thermashield® systems are available in various WERS ratings and glazing styles.

Thermashield® Double Glazing is available for energy efficiency requirements.

2 Acoustic Options

SoundMizer® acoustic solutions are available for alfresco stacker doors. SoundMizer® acoustic solutions can reduce aircraft, highway traffic, railway and other annoying noise problems.

For information or technical details contact Trend®.

3 Locks

Sliding doors are fitted with black standard slimline lock or can be upgraded to "D" lock.

4 Safety Glazing

Toughened Safety A Grade Glass with a visual motif at the mid point to provide added safety. Laminated Glass is used in all non standard door sizes. Glass sits into the extrusion door glazing pocket up to 13mm.

5 Protected Rolling Track

An extruded aluminium splayed threshold protects both glass door and flydoor rolling tracks.

6 Wheelchair Access

The aluminium threshold features the Easyrider™ sill, which is ideal for wheelchair access.

7 Heavy Duty Rollers

Trend® door uses a heavy duty roller system for smooth operation.

Glass door panels roll on heavy duty adjustable acetal wheels, that are perfectly matched to the sill rail to ensure efficient running. The marine

alloy aluminium carriage reduces the chance of corrosion ensuring a long and smooth operation.

8 Frames

Trend® Door frame is 162mm wide (including flyscreen track) with the slimline sash. The sash has aesthetically pleasing lines and a smooth rounded profile that has a truly solid look.

Maximum Door Height is 2400mm
Maximum Panel Width is 1500mm
Maximum Door Width - 3 lites 4500mm
Maximum Door Width - 6 lites is 6400mm

9 Interlockers

Three types of interlockers are available depending on the structural pascal ratings. Trend® Sliding Door ultimate structural rating is 1500 pascals (kPa).

10 Screen Door

An external extruded aluminium sliding screen door can be fitted with spring loaded acetal wheels. Ensuring the screen door stays on the track and operates smoothly. Optional Barrier Door is available.

11 Complementary Accessories

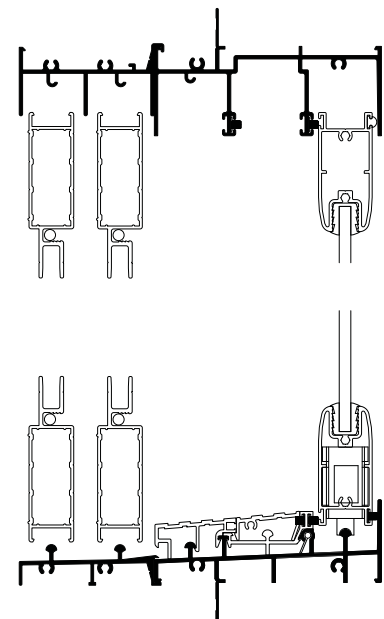
- 180° non-load-bearing couplers.
- 135° non-load-bearing corner couplers.
- 100mm aluminium architraves for replacement door installations
- Adjustable aluminium storm mould.
- Extruded aluminium 180° mullion covers to hide load-bearing posts.

12 Options

Colonial Bar, Federation Bar Layouts and Ovolo adaptor are available. Easy to fit flyscreens.

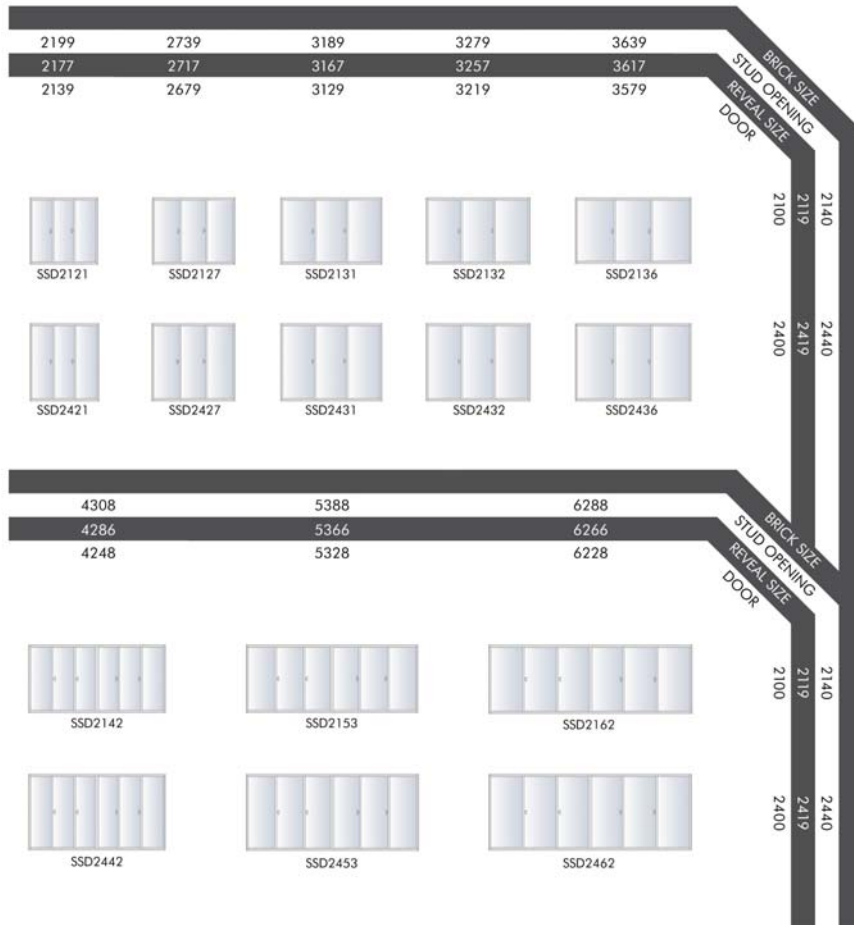
Wide range of powdercoat finishes are available.

This product rates up to BAL-29 for bushfire areas.



Size Range

Synergy® Sliding Stacker Door



CORNER DOORS

Corner sliding and stacker doors use generic size codes which are not size specific, when ordering a corner door you need to specify the height and both A and B width.

Internal corner External corner

PLAN VIEW

Internal corner External corner



Ordering Details

Synergy® Sliding Stacker Door

All doors are illustrated as viewed from outside. Codes shown are for plain doors. The first two numbers of code indicate approximate height, the last two numbers indicate approximate width.

Sash Style Options:

Standard option, eg door code SSD2022

O indicates ovolo sash style, eg door code TOSD2022

T indicates Thermashield® double glazed sash style, eg door code TTSD2022

M indicates Acoustic sash style (SoundMizer®), eg door code TMSD2018

S indicates Sump Sill, eg door code TSSD2018

Bar Options:

CL indicates Colonial Bar, eg door code SSD2022CL

FD indicates Federation Bar, eg door code SSD2022FD

This product rates up to BAL-29 for bushfire areas

Configuration Options:

XXF indicates Sliding/Sliding/Fixed

FXX indicates Fixed/Sliding/Sliding

FXXXXF indicates Fixed/Sliding/Sliding/Sliding/Sliding/Fixed

Hardware Options:

Black slimline hardware is supplied as standard or upgrade to "D" Lock.

Optional colours available are anodic natural matt, stone beige, pearl white or satin chrome.

General:

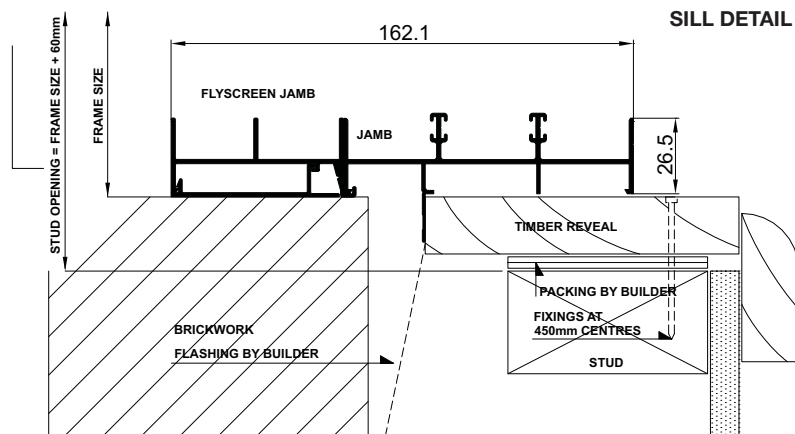
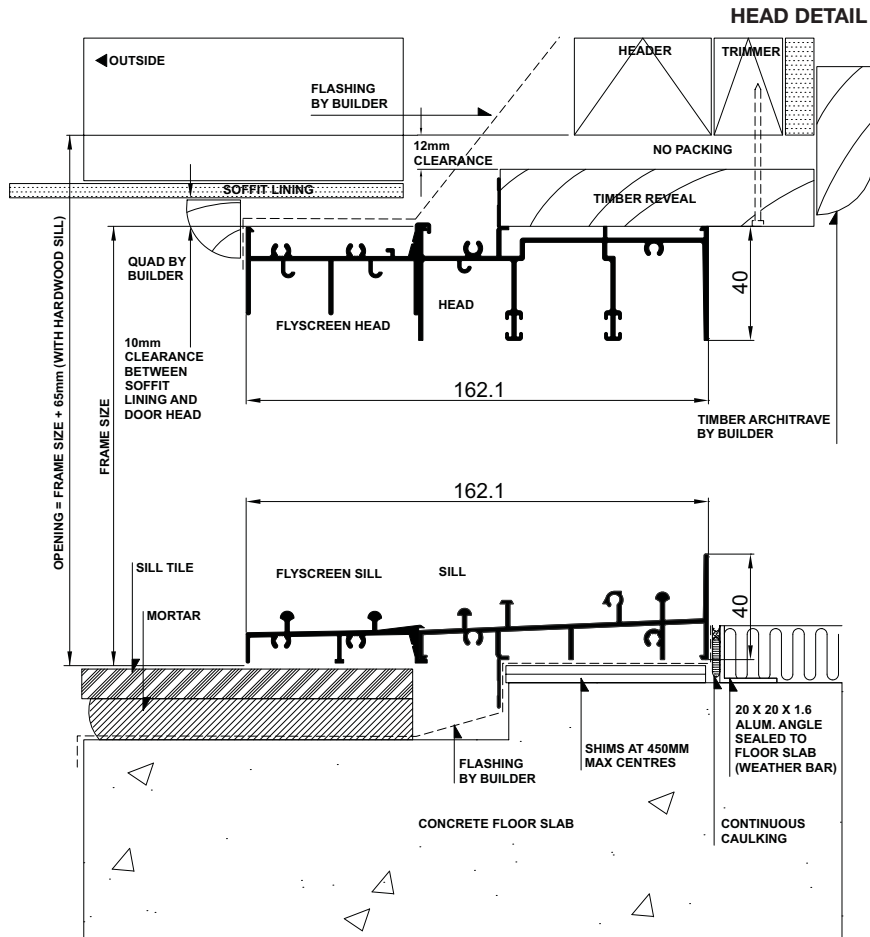
Low profile sill supplied as standard
The sill must be level side to side and front to back and fully supported during and after construction

The aluminium sill and external brick skin must be separated with an isolator to prevent possible reaction between brick and mortar and the aluminium frame which can lead to crevice corrosion.

** Refers to 2400 Frame Height

Installation

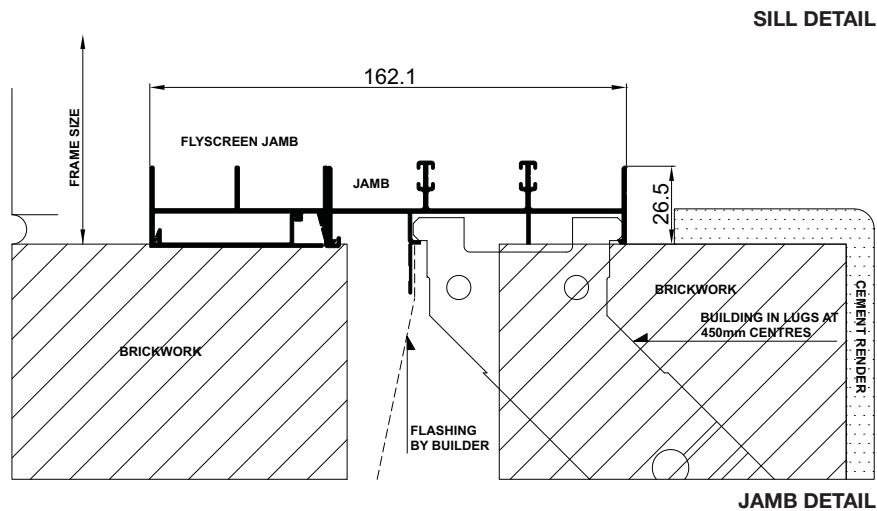
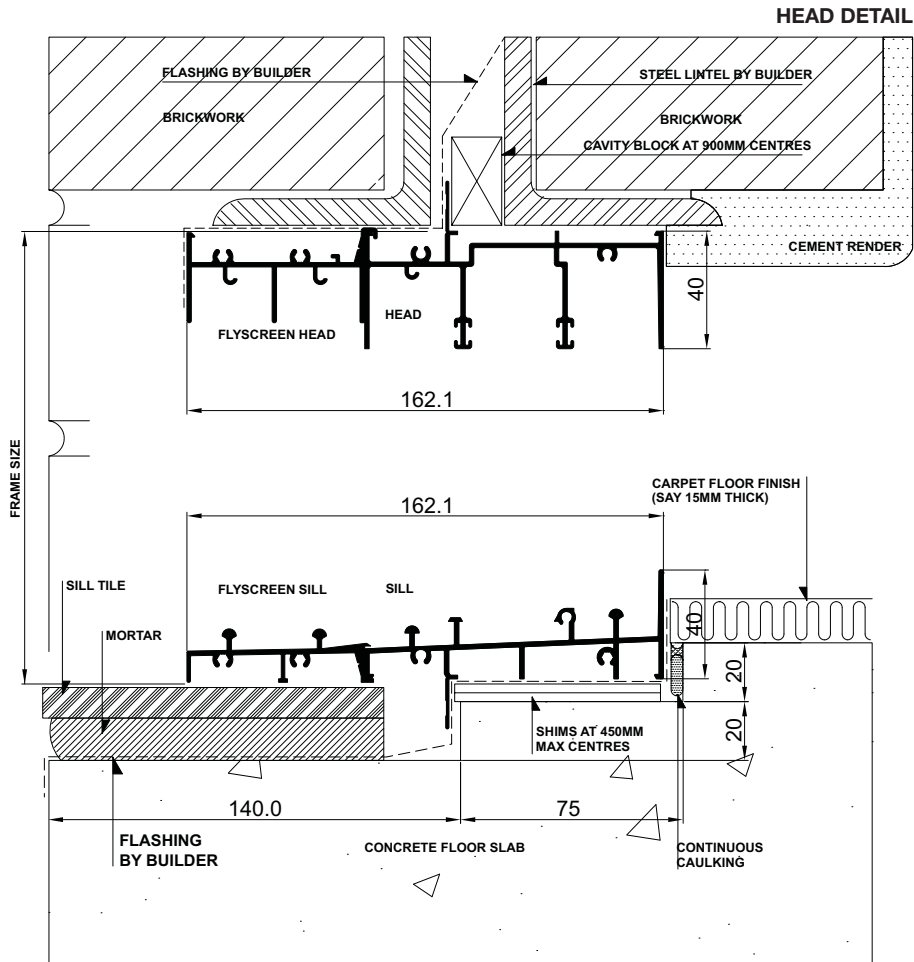
Synergy® Sliding Stacker Door | Building In Detail | **Brick Veneer - 230mm wall**



JAMB DETAIL

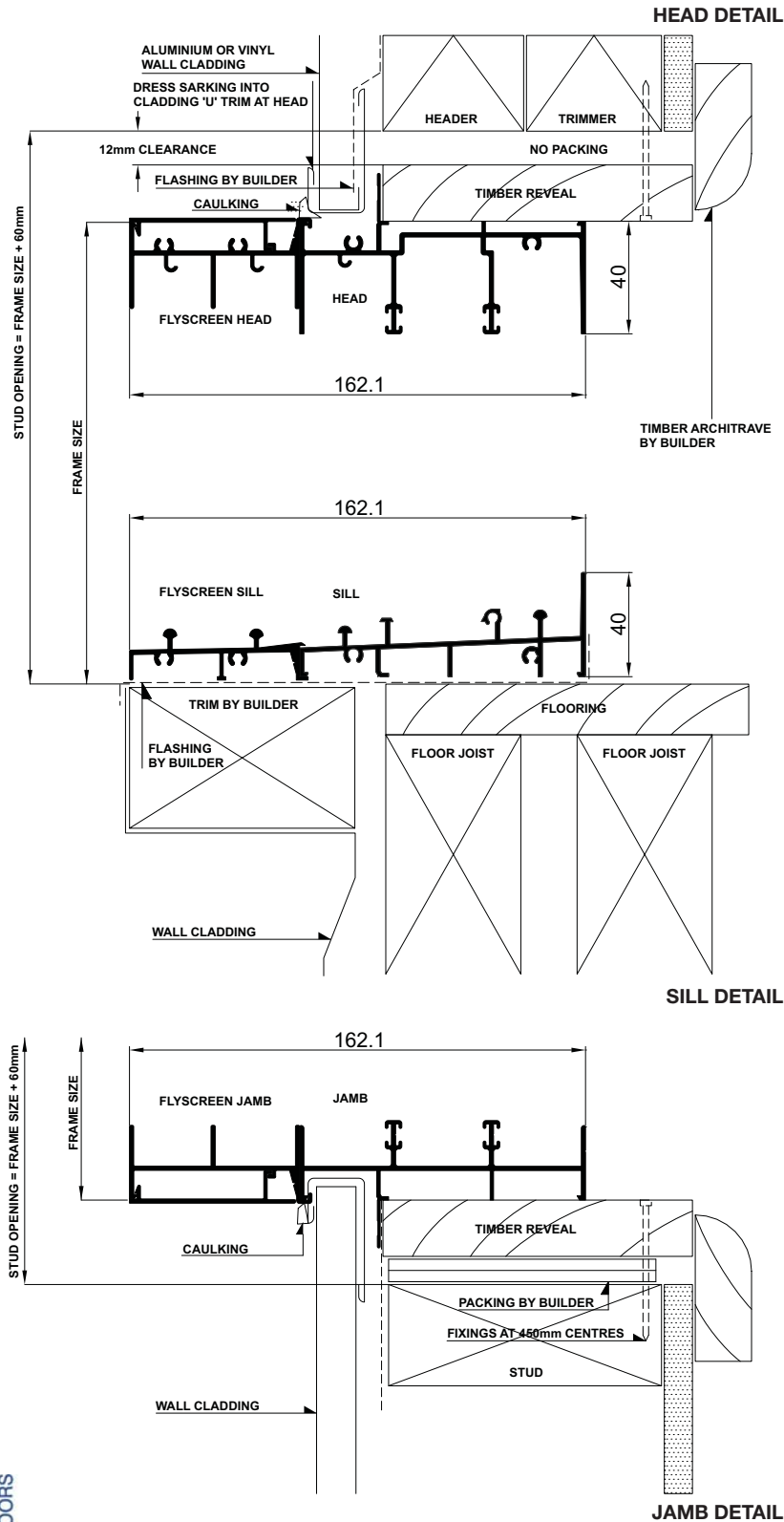
Installation

Synergy® Sliding Stacker Door | Building In Detail | **Double Brick - 280mm wall**



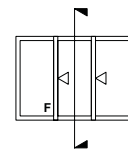
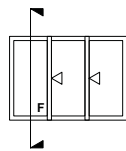
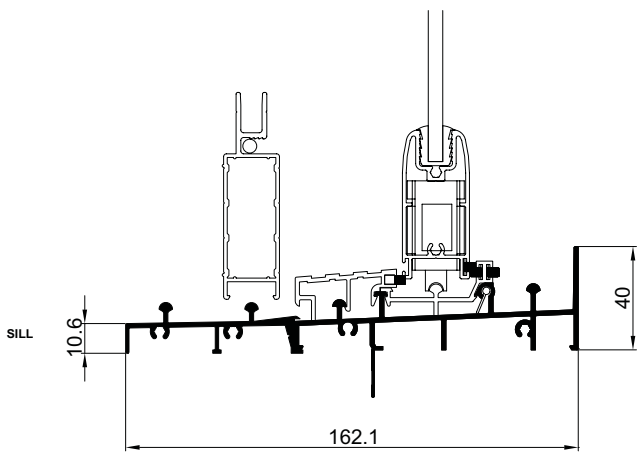
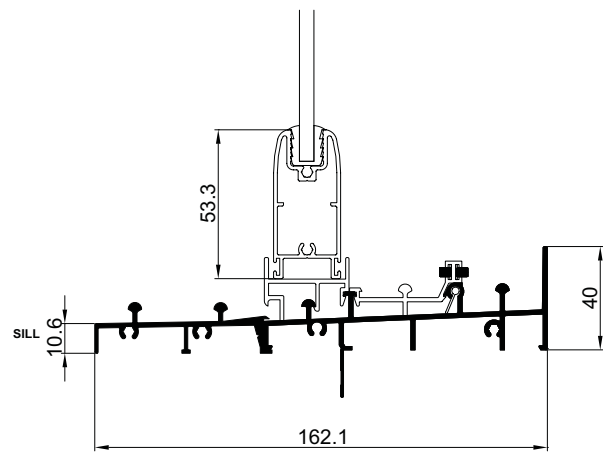
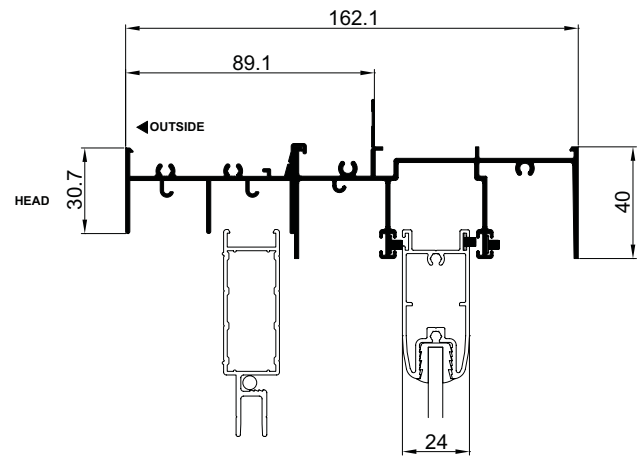
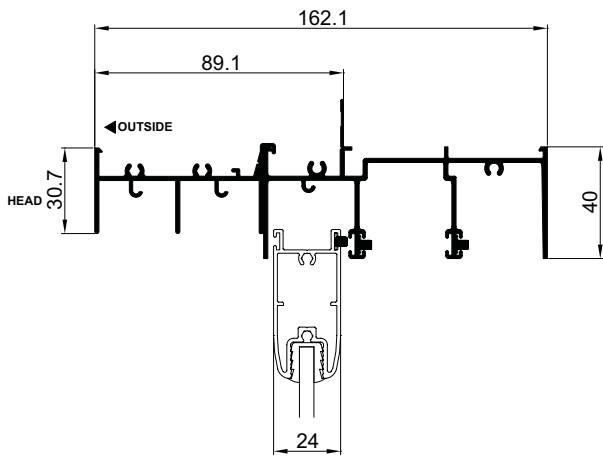
Installation

Synergy® Sliding Stacker Door | Building In Detail | **Aluminium Cladding on Studs**



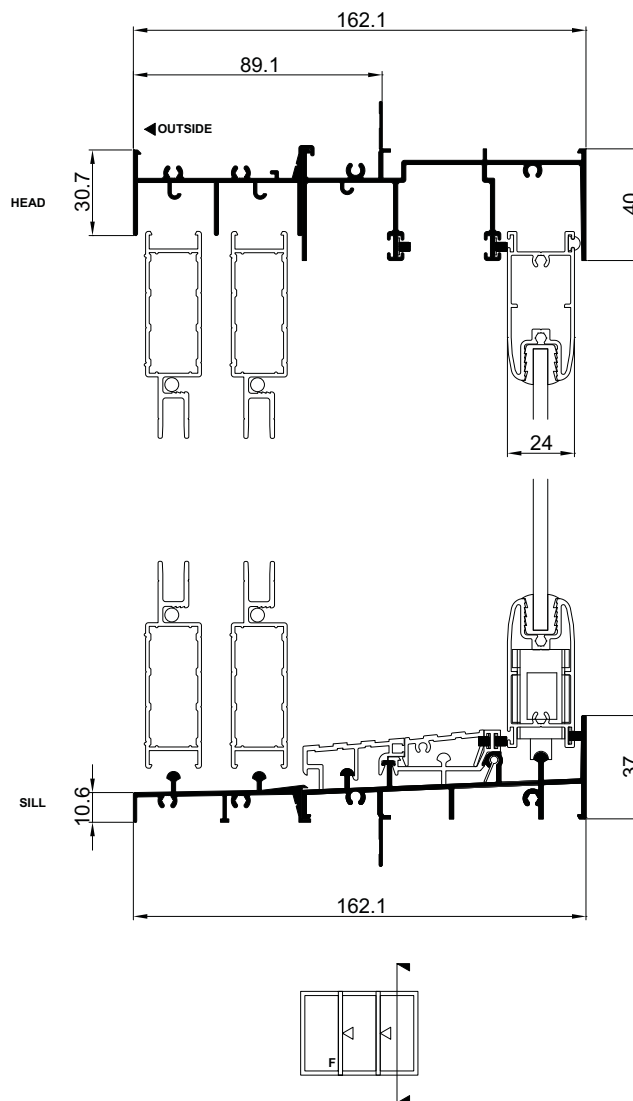
Cross Sectional Views

Trend® Sliding Stacker Door | **Three Lite (FXX)**



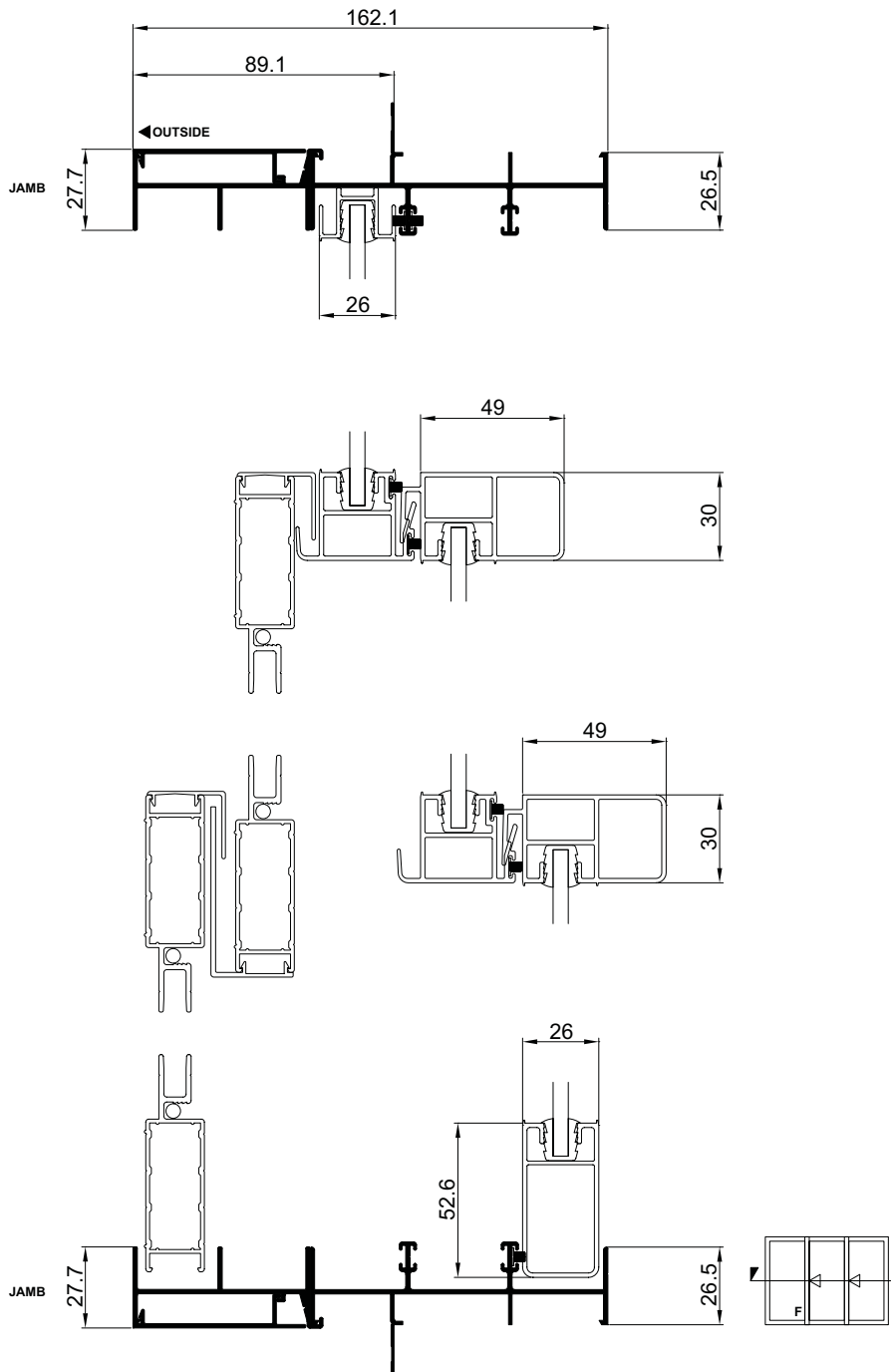
Cross Sectional Views

Trend® Sliding Stacker Door | **Three Lite (FXX)**



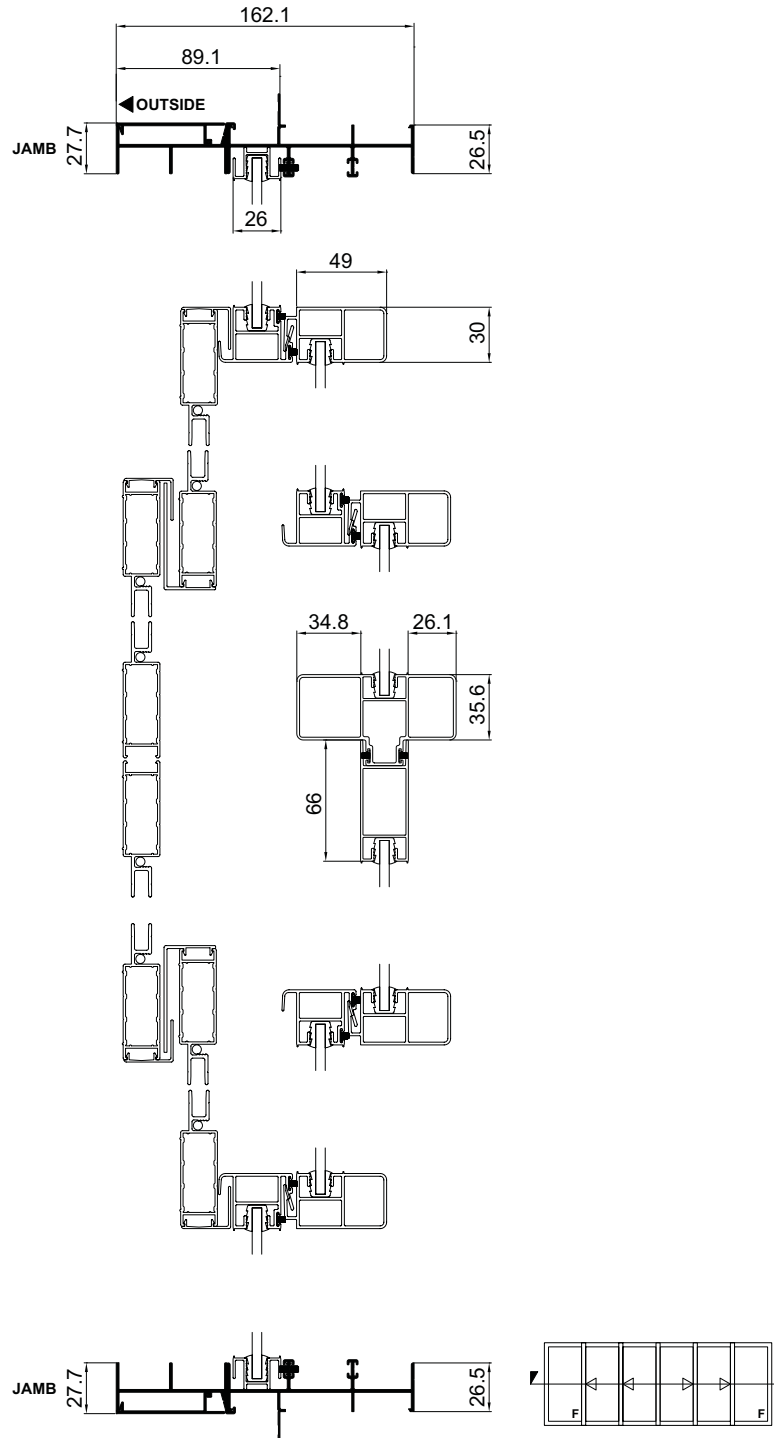
Cross Sectional Views

Trend® Sliding Stacker Door | **Three Lite (FXX)**



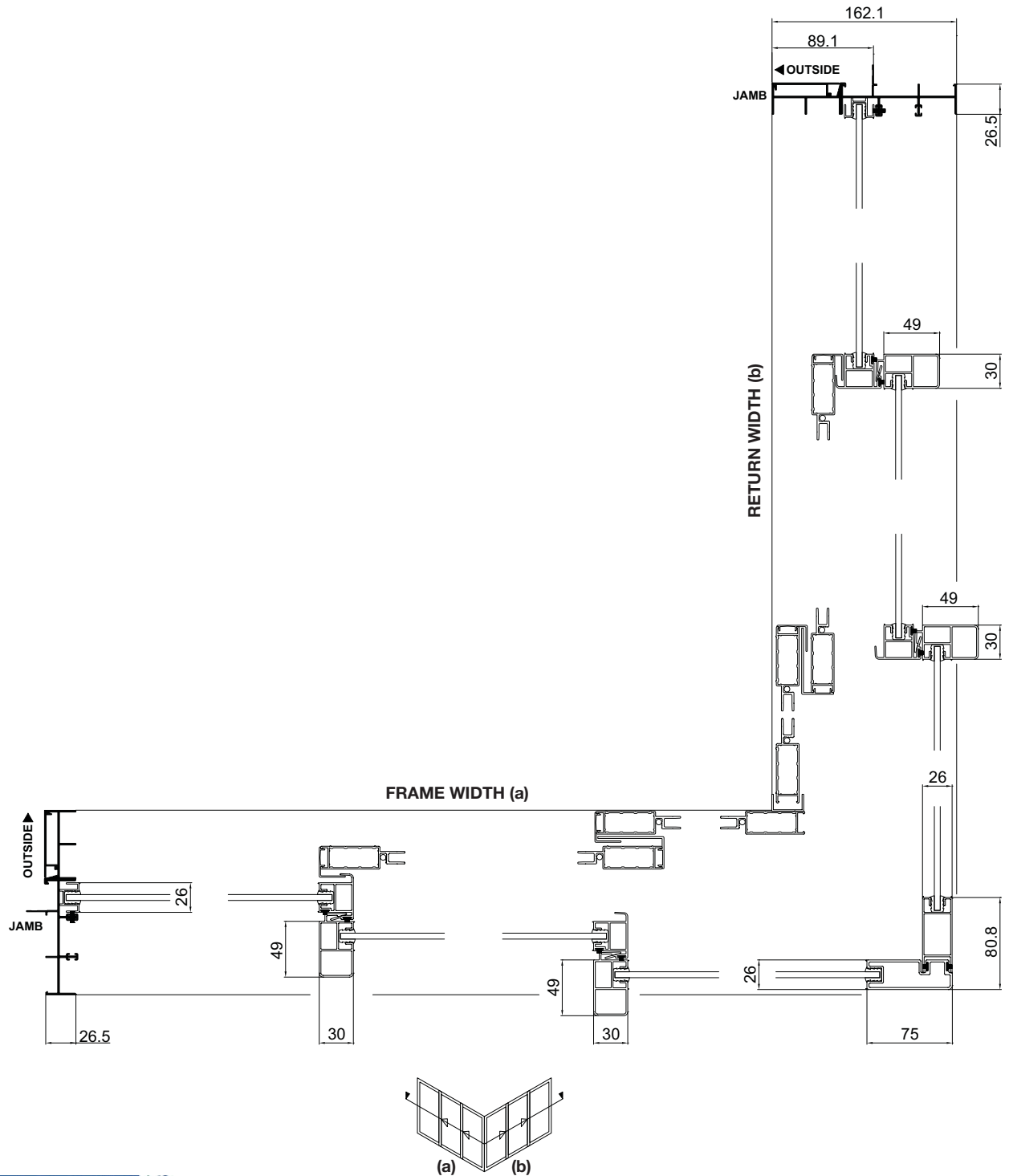
Cross Sectional Views

Trend® Sliding Stacker Door | **Six Lite (FXXXXF)**



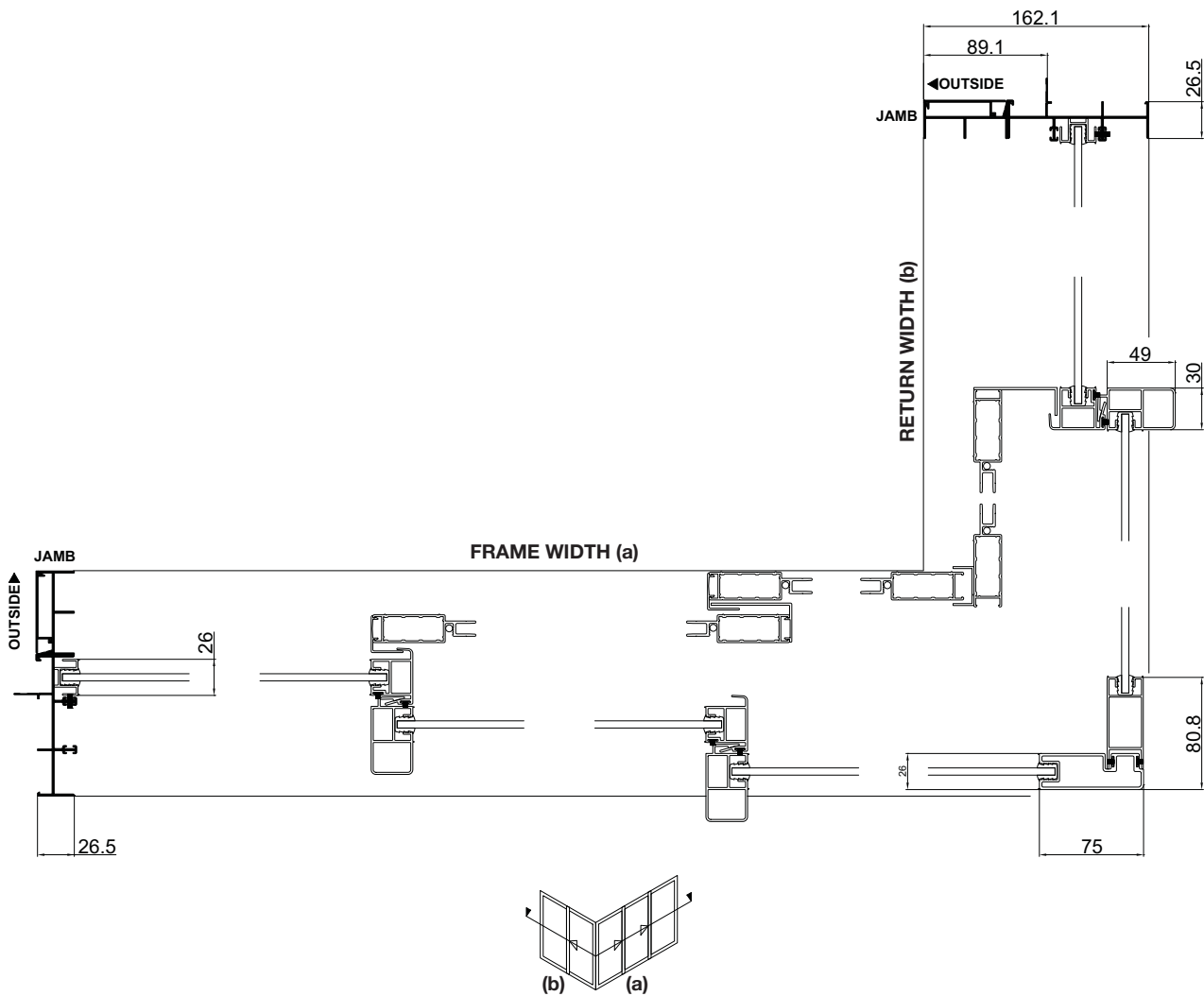
Cross Sectional Views

Trend® Sliding Stacker Door | **3x3 Internal Corner**



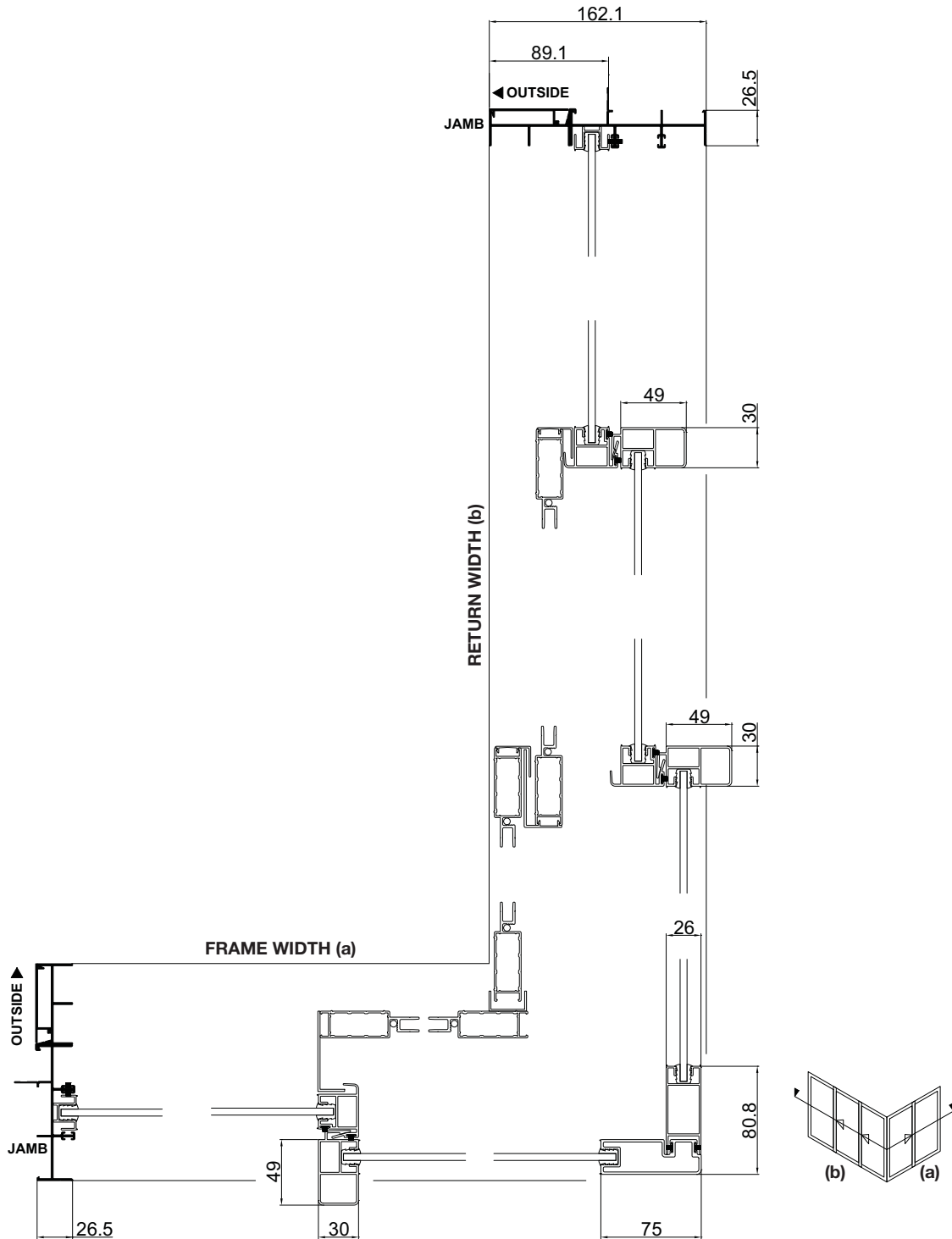
Cross Sectional Views

Trend® Sliding Stacker Door | **3x2 Internal Corner**



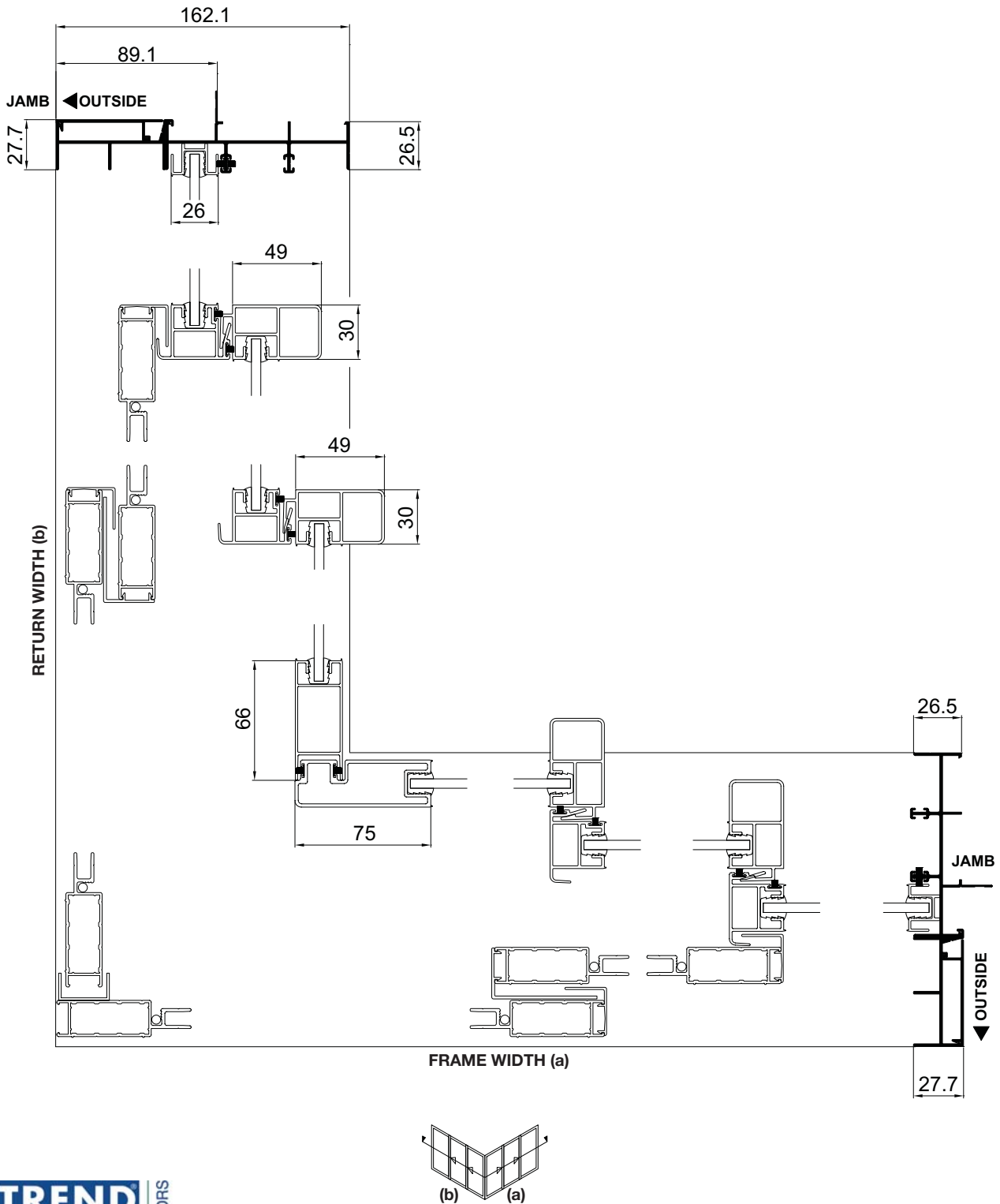
Cross Sectional Views

Trend® Sliding Stacker Door | 2x3 Internal Corner



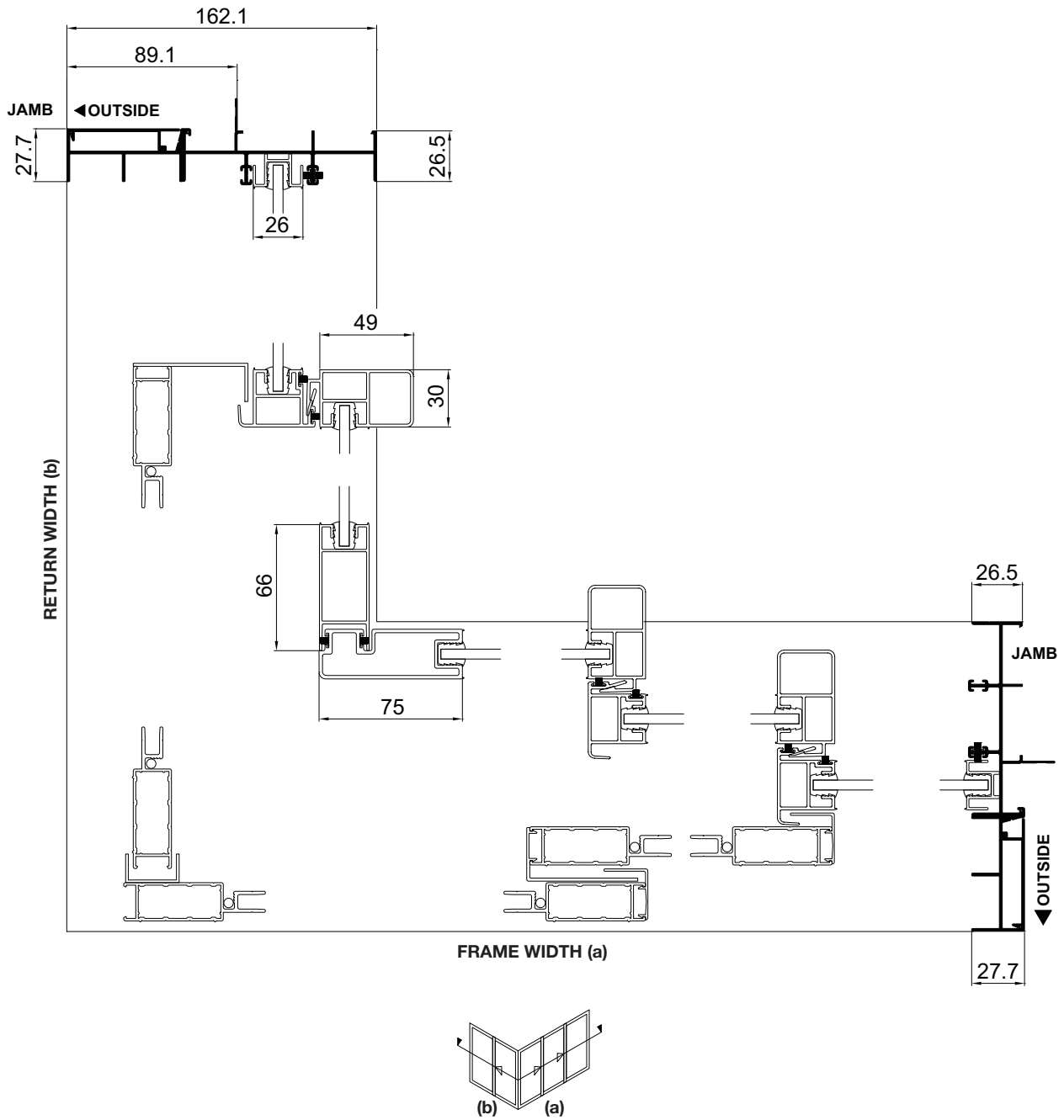
Cross Sectional Views

Trend® Sliding Stacker Door | 3x3 External Corner



Cross Sectional Views

Trend® Sliding Stacker Door | **3x2 External Corner**



Cross Sectional Views

Trend® Sliding Stacker Door | **2x3 External Corner**

